

# ROTEL *hi-fi*

## RCC-935

Compact Disc Changer

# Technical Manual

### TABLE OF CONTENTS

Specifications .....	2
Parts List .....	3~15
Adjustment .....	16
Wiring Diagram .....	17
Disassembly Instructions .....	18~19
Exploded View .....	20~22
Printed Circuit Boards .....	23~25
Block Diagram .....	26~27
Schematic Diagram .....	28~33

**THE ROTEL CO., LTD**

BUNZAN-SHINSEN-BLD. 4F 10-10 SHINSEN-CHO, SHIBUYA-KU,  
TOKYO 150-0045, JAPAN

## SPECIFICATIONS

### Audio Performance

No	Item	Spec			Condition, Test disc
		Nominal	Limit	Unit	
1	Max. output level	1.8	$\pm 1.5$ dB	Vrms	1KHz, 0 dB, 10K $\Omega$
2	Frequency response	+1/-2	3	dB	20Hz-18kHz/1kHz0dB
3	De-emphasis response	$\pm 0.5$	2	dB	20Hz-16kHz/1kHz0dB
4	Channel balance	0	0.5	dB	1kHz, 0dB
5	Channel separation *	85	80	dB	1kHz, 0dB
6	T.H.D. +noise *	0.02	0.09	%	1kHz, 0dB
7	Dynamic range *	84	78	dB	1kHz, -60dB
8	S/N ratio (IHF-A) *	96	90	dB	1kHz, 0dB
					*WITH EXTERNAL 20KHz L.P.F. Load impedance; More than 47k $\Omega$ Test disc; CBS SONY YEDS7or YEDS18 or TEAC MCD-11

### Electrical Performance

#### Digital Output

No	Item	Spec			Condition, Test disc
		Nominal	Limit	Unit	
1	Coaxial digital output	0.5	$\pm 0.1$	V <sub>p-p</sub>	75 ,EIAJ CP-340

# ELECTRICAL PARTS LIST (1)

LOC No.	PARTS CODE	DESCRIPTION	OR USE	Q'ty	USE TO
<b>SUB P.C.B. ASSY</b>					
45-01	CEC0B10023700	ASSY,PCB,SUB		1	
	CEC4B10023700	PCB,SUB		1	
CN605	CEC4J10005469	PLUG 29P R		1	
CN602	CEC4J10005900	PLUG,13P,R	AA1	1	
CN602	CEC4J10005901	PLUG,13P,R	AA2	1	
CN603	42369749000	PLUG 3P		1	
CN604	42369749100	PLUG 5P		1	
CN601	42369749200	PLUG 6P,PH,V			
<b>SENSOR P.C.B. ASSY</b>					
45-02	CEC0B10010630	ASSY,PCB,SENSOR	AA2	1	
	1EA4B10A60300	PCB,SENSOR		1	
W03	CEC4J13003402	CONNECTOR,3P		1	
	DCTLP806----N	PHOTO COUPLE TLP806		1	
<b>SENSOR P.C.B. ASSY</b>					
45-02	CEC0B10025700	ASSY,PCB,SENSOR	AA1	1	
	CEC4B10025700	PCB,SENSOR		1	
P01	CEC4D61006000	PHOTO COUPLE GP1S58V		1	
W03	CEC4J13003402	CONNECTOR,3P		1	
<b>DISPLAY P.C.B. ASSY</b>					
45-03	CEC0B10026300	ASSY PCB DISPLAY		1	
	1EA2323A03000	MOUNT-E,FL		1	M3
	1EA2323A03000	MOUNT-E,FL		1	M4
	CEC4B10026300	PCB,DISPLAY		1	
U1	CEC4D61004900	IC GP1U581X	AA2	1	
U1	CEC4D61005300	IC GP1U781R	AA3	1	
U1	CEC4D61005900	IC GP1U281X	AA1	1	
CN2	CEC4J10005469	PLUG 29P R		1	
SW01	CEC4S14000300	SWITCH TACT		1	
SW02	CEC4S14000300	SWITCH TACT		1	
SW03	CEC4S14000300	SWITCH TACT		1	
SW04	CEC4S14000300	SWITCH TACT		1	
SW05	CEC4S14000300	SWITCH TACT		1	
SW06	CEC4S14000300	SWITCH TACT		1	
SW07	CEC4S14000300	SWITCH TACT		1	
FL2	CEC4T41000501	FLT FIP11CNM6A	AA2	1	
FL2	CEC4T41000800	FLT 9-BT-163GK	AA1	1	
	1EA4W3JP0500N	LEAD JUMPER P 5.0		3	
	1EA4W3JP0750N	LEAD JUMPER P 7.5		5	
	1EA4W3JP1000N	LEAD JUMPER P 10.0		9	
	1EA4W3JP1250N	LEAD JUMPER P 12.5		1	
C001	CE1C470MDFALC	ELECT 47U M 16		1	
C002	CF1H473KADALC	POLYESTER 0.047U K 50		1	
	14122899838000	ADHESIVE FILM		1	M3
	14122899838000	ADHESIVE FILM		1	M4
R001	RDD1002JPAANN	CARBON 10K JA 1/6		1	
R002	RDD1201JPAANA	CARBON 1.2K JA 1/6		1	
R003	RDD1501JPAANN	CARBON 1.5K JA 1/6		1	
R004	RDD1801JPAANA	CARBON 1.8K JA 1/6		1	
R005	RDD2201JPAANA	CARBON 2.2K JA 1/6		1	
R006	RDD3301JPAANN	CARBON 3.3K JA 1/6		1	

## ELECTRICAL PARTS LIST (2)

LOC No.	PARTS CODE	DESCRIPTION	OR USE	Q'ty	USE TO
R007	RDD4701JPAANA	CARBON 4.7K JA 1/6		1	
R008	RDD8201JPAANA	CARBON 8.2K JA 1/6		1	
<b>POWER P.C.B. ASSY (USA)</b>					
45-04	CEC0B10026530	ASSY,PCB,POWER (USA)		1	
	CEC4B10026500	PCB POWER		1	
W01	CEC4J13012243	CONNECTOR,4P,ASSY		1	
T01	CEC4L50005030	POWER TRANS		1	
SW01	CEC4S11001800	SWITCH,PUSH,POWER		1	
PC01	CEC4W10003901	POWER,CORD	AA1	1	
PC01	CEC4W10004401	POWER,CORD	AA2	1	
J01	1EA4W3JP0500N	LEAD JUMPER P 5.0		1	
J02	1EA4W3JP0500N	LEAD JUMPER P 5.0		1	
C01	CEC4C10002000	CAPACITOR	AA1	1	
C01	42239709700	CAPACITOR 0.01MF 400V	AA2	1	
EC01	42372008300	EC TERMINAL 1P		1	
EC02	42372008300	EC TERMINAL 1P		1	
<b>POWER P.C.B. ASSY (EUR)</b>					
45-04	CEC0B10026640	ASSY PCB POWER (EUR)		1	
C01	CEC4C10002000	CAPACITOR	AA1	1	
C01	42239709700	CAPACITOR 0.01MF 400V	AA2	1	
EC01	42372008300	EC TERMINAL 1P		1	
EC02	42372008300	EC TERMINAL 1P		1	
J01	1EA4W3JP0500N	LEAD JUMPER P 5.0		1	
J04	1EA4W3JP0750N	LEAD JUMPER P 7.5		1	
	CEC4B10026600	PCB POWER		1	
W01	CEC4J13012243	CONNECTOR,4P,ASSY		1	
F02	CEC4J20000500	FUSE HOLDER		2	
T01	CEC4L50005070	POWER,TRANS		1	
SW01	CEC4S11001800	SWITCH,PUSH,POWER		1	
PC01	CEC4W10004000	POWER,CORD,EUR		1	
F02	CEC4S30000800	FUSE 250V 630MA		1	
<b>POWER P.C.B. ASSY (AUS)</b>					
45-04	CEC0B10026560	ASSY,PCB,POWER (AUS)		1	
	CEC4B10026500	PCB POWER		1	
C01	CEC4C10002000	CAPACITOR	AA1	1	
C01	42239709700	CAPACITOR 0.01MF 400V	AA2	1	
EC01	42372008300	EC TERMINAL 1P		1	
EC02	42372008300	EC TERMINAL 1P		1	
J01	1EA4W3JP0500N	LEAD JUMPER P 5.0		1	
W01	CEC4J13012243	CONNECTOR,4P,ASSY		1	
F02	CEC4J20000500	FUSE HOLDER		2	
T01	CEC4L50005060	POWER,TRANS		1	
SW01	CEC4S11001800	SWITCH,PUSH,POWER		1	
PC01	CEC4W10004800	POWER,CORD	AA1	1	
PC01	CEC4W10004200	POWER,CORD	AA2	1	
F02	CEC4S30000800	FUSE 250V 630MA		1	



# ELECTRICAL PARTS LIST (3)

LOC No.	PARTS CODE	DESCRIPTION	OR USE	Q'ty	USE TO
<b>MAIN P.C.B. ASSY</b>					
45-05	CEC0B10025602	ASSY,PCB,MAIN		1	
	1EA4W3JP0500T	LEAD JUMPER P 5.0		34	
D19	1EA4W3JP0500T	LEAD JUMPER P 5.0		1	
D25	1EA4W3JP0500T	LEAD JUMPER P 5.0		1	
D26	1EA4W3JP0500T	LEAD JUMPER P 5.0		1	
D27	1EA4W3JP0500T	LEAD JUMPER P 5.0		1	
D28	1EA4W3JP0500T	LEAD JUMPER P 5.0		1	
D29	1EA4W3JP0500T	LEAD JUMPER P 5.0		1	
	1EA4W3JP0750T	LEAD JUMPER P 7.5		12	
	1EA4W3JP1000T	LEAD JUMPER P 10.0		51	
JP110	1EA4W3JP1000T	LEAD JUMPER P 10.0	AB1	1	
	1EA4W3JP1250T	LEAD JUMPER P 12.5		10	
	1EA4W3JP1500T	LEAD JUMPER P 15.0		10	
	1EA4W3JP2000T	LEAD JUMPER P 20.0		4	
	CEC4B10025600	PCB,MAIN		1	
C075	CB1E223ZFAFNA	CERAMIC 0.022U Z 25		1	
C076	CB1E223ZFAFNA	CERAMIC 0.022U Z 25		1	
C077	CB1E223ZFAFNA	CERAMIC 0.022U Z 25		1	
C078	CB1E223ZFAFNA	CERAMIC 0.022U Z 25		1	
C027	CC1H100DABCLC	CERAMIC 10P D 50		1	
C006	CC1H101JABCLC	CERAMIC 100P J 50		1	
C017	CC1H101JABCLC	CERAMIC 100P J 50		1	
C031	CC1H120JABCLC	CERAMIC 12P J 50		1	
C032	CC1H120JABCLC	CERAMIC 12P J 50		1	
C102	CC1H221JABCLC	CERAMIC 220P J 50		1	
C103	CC1H221JABCLC	CERAMIC 220P J 50		1	
C104	CC1H221JABCLC	CERAMIC 220P J 50		1	
C105	CC1H221JABCLC	CERAMIC 220P J 50		1	
C026	CC1H2R0CABGLC	CERAMIC 2P C 50		1	
C051	CC1H330JABCLC	CERAMIC 33P J 50		1	
C052	CC1H330JABCLC	CERAMIC 33P J 50		1	
C034	CE0J101MDFALC	ELECT 100U M 6.3		1	
C035	CE0J101MDFALC	ELECT 100U M 6.3		1	
C037	CE0J101MDFALC	ELECT 100U M 6.3		1	
C088	CE0J101MDFALC	ELECT 100U M 6.3		1	
C056	CE0J221MDFALC	ELECT 220U M 6.3		1	
C044	CE1A471MAEALC	ELECT 470U M 10	AA1	1	
C054	CE1A471MAEALC	ELECT 470U M 10	AA1	1	
C089	CE1A471MAEALC	ELECT 470U M 10	AA1	1	
C044	CE1C471MDFALC	ELECT 470U M 16	AA2	1	
C054	CE1C471MDFALC	ELECT 470U M 16	AA2	1	
C089	CE1C471MDFALC	ELECT 470U M 16	AA2	1	
C003	CE1C100MDFALC	ELECT 10U M 16		1	
C087	CE1C220MAEALC	ELECT 22U M 16		1	
C020	CE1C470MDFALC	ELECT 47U M 16		1	
C041	CE1C470MDFALC	ELECT 47U M 16		1	
C046	CE1C470MDFALC	ELECT 47U M 16		1	
C053	CE1C470MDFALC	ELECT 47U M 16		1	
C059	CE1C470MDFALC	ELECT 47U M 16		1	
C061	CE1C470MDFALC	ELECT 47U M 16		1	
C062	CE1C470MDFALC	ELECT 47U M 16		1	
C082	CE1C470MDFALC	ELECT 47U M 16		1	
C080	CE1H100MDFALC	ELECT 10U M 50		1	

# ELECTRICAL PARTS LIST (4)

LOC No.	PARTS CODE	DESCRIPTION	OR USE	Q'ty	USE TO
C011	CE1H1R0MDFALC	ELECT 1U M 50		1	
C018	CE1H1R0MDFALC	ELECT 1U M 50		1	
C049	CE1H1R0MDFALC	ELECT 1U M 50		1	
C069	CE1H1R0MDFALC	ELECT 1U M 50		1	
C091	CE1H1R0MDFALC	ELECT 1U M 50		1	
C019	CE1H2R2MDFALC	ELECT 2.2U M 50		1	
C040	CE1H2R2MDFALC	ELECT 2.2U M 50		1	
C086	CE1H4R7MDFALC	ELECT 4.7U M 50		1	
C023	CE1HR47MDFALC	ELECT 0.47U M 50		1	
C068	CE1V470MDFALC	ELECT 47U M 35		1	
C090	CEC4C10002100	ELECT 470U 25V		1	
C106	CEC4C10002200	ELECT 10U 50V		1	
C107	CEC4C10002200	ELECT 10U 50V		1	
C015	CF1H102KADALC	POLYESTER 1000P K 50		1	
C108	CF1H102KADALC	POLYESTER 1000P K 50		1	
C109	CF1H102KADALC	POLYESTER 1000P K 50		1	
C112	CF1H102KADALC	POLYESTER 1000P K 50		1	
C113	CF1H102KADALC	POLYESTER 1000P K 50		1	
C012	CF1H103KADALC	POLYESTER 0.01U K 50		1	
C016	CF1H103KADALC	POLYESTER 0.01U K 50		1	
C022	CF1H103KADALC	POLYESTER 0.01U K 50		1	
C002	CF1H104KADALC	POLYESTER 0.1U K 50		1	
C010	CF1H104KADALC	POLYESTER 0.1U K 50		1	
C013	CF1H104KADALC	POLYESTER 0.1U K 50		1	
C014	CF1H104KADALC	POLYESTER 0.1U K 50		1	
C085	CF1H104KADALC	POLYESTER 0.1U K 50		1	
C009	CF1H224KADALC	POLYESTER 0.22U K 50V		1	
C004	CF1H332KADALC	POLYESTER 3300P K 50		1	
C021	CF1H332KADALC	POLYESTER 3300P K 50		1	
C025	CF1H333KADALC	POLYESTER 0.033U K 50		1	
C028	CF1H333KADALC	POLYESTER 0.033U K 50		1	
C008	CF1H334KADALC	POLYESTER 0.33U K 50V		1	
C024	CF1H334KADALC	POLYESTER 0.33U K 50V		1	
C001	CF1H473KADALC	POLYESTER 0.047U K 50		1	
C029	CF1H473KADALC	POLYESTER 0.047U K 50		1	
C030	CF1H473KADALC	POLYESTER 0.047U K 50		1	
C033	CF1H473KADALC	POLYESTER 0.047U K 50		1	
C036	CF1H473KADALC	POLYESTER 0.047U K 50		1	
C038	CF1H473KADALC	POLYESTER 0.047U K 50		1	
C039	CF1H473KADALC	POLYESTER 0.047U K 50		1	
C042	CF1H473KADALC	POLYESTER 0.047U K 50		1	
C043	CF1H473KADALC	POLYESTER 0.047U K 50		1	
C050	CF1H473KADALC	POLYESTER 0.047U K 50		1	
C057	CF1H473KADALC	POLYESTER 0.047U K 50		1	
C081	CF1H473KADALC	POLYESTER 0.047U K 50		1	
C007	CF1H683KADALC	POLYESTER 0.068U K 50		1	
C045	CK1H104ZFAFNA	CERAMIC 0.1U Z 50		1	
C005	CK1H104ZFAFNA	CERAMIC 0.1U Z 50		1	
C073	CP1C100MBAALC	NP-ELECT 10U M 16		1	
C074	CP1C100MBAALC	NP-ELECT 10U M 16		1	
C047	CP1H1R0MBAALC	NP-ELECT 1U M 50		1	
C048	CP1H1R0MBAALC	NP-ELECT 1U M 50		1	
C071	CP1H1R0MBAALC	NP-ELECT 1U M 50		1	
C072	CP1H1R0MBAALC	NP-ELECT 1U M 50		1	

# ELECTRICAL PARTS LIST (5)

LOC No.	PARTS CODE	DESCRIPTION	OR USE	Q'ty	USE TO
D03	DD1A3-I----C	DIODE 1A3-I		1	
D04	DD1A3-I----C	DIODE 1A3-I		1	
D05	DD1A3-I----C	DIODE 1A3-I		1	
D06	DD1A3-I----C	DIODE 1A3-I		1	
D07	DD1A3-I----C	DIODE 1A3-I		1	
D08	DD1A3-I----C	DIODE 1A3-I		1	
D09	DD1A3-I----C	DIODE 1A3-I		1	
D10	DD1A3-I----C	DIODE 1A3-I		1	
D01	DD1SS133----A	DIODE 1SS133-T-77		1	
D02	DD1SS133----A	DIODE 1SS133-T-77		1	
D20	DD1SS133----A	DIODE 1SS133-T-77		1	
D21	DD1SS133----A	DIODE 1SS133-T-77		1	
D22	DD1SS133----A	DIODE 1SS133-T-77		1	
D23	DD1SS133----A	DIODE 1SS133-T-77		1	
D30	DD1SS133----A	DIODE 1SS133-T-77		1	
D31	DD1SS133----A	DIODE 1SS133-T-77		1	
D32	DD1SS133----A	DIODE 1SS133-T-77		1	
D33	DD1SS133----A	DIODE 1SS133-T-77		1	
D18	DZMTZJ3.6B--A	ZENER DIODE MTZJ3.6B	AA1	1	
D18	DZMTZJ3.6A--A	ZENER DIODE MTZJ3.6A	AA2	1	
D24	DZMTZJ4.3B--A	ZENER DIODE MTZJ4.3B		1	
D12	DZMTZJ5.1B--A	ZENER DIODE MTZJ5.1B-T-7		1	
R083	RDB47R0JPBANA	CARBON 47 JA 1/4		1	
R084	RDB47R0JPBANA	CARBON 47 JA 1/4		1	
R127	RDB47R0JPBANA	CARBON 47 JA 1/4		1	
R135	RDB4R70JPAANA	CARBON 4.7 JA 1/4		1	
R136	RDB4R70JPAANA	CARBON 4.7 JA 1/4		1	
R043	RDD1001JPAANA	CARBON 1K JA 1/6		1	
R053	RDD1001JPAANA	CARBON 1K JA 1/6		1	
R001	RDD1001JPAANA	CARBON 1K JA 1/6		1	
R112	RDD1001JPAANA	CARBON 1K JA 1/6		1	
R113	RDD1001JPAANA	CARBON 1K JA 1/6		1	
R023	RDD1002JPAANA	CARBON 10K JA 1/6		1	
R029	RDD1002JPAANA	CARBON 10K JA 1/6		1	
R032	RDD1002JPAANA	CARBON 10K JA 1/6		1	
R038	RDD1002JPAANA	CARBON 10K JA 1/6		1	
R040	RDD1002JPAANA	CARBON 10K JA 1/6		1	
R041	RDD1002JPAANA	CARBON 10K JA 1/6		1	
R063	RDD1002JPAANA	CARBON 10K JA 1/6		1	
R102	RDD1002JPAANA	CARBON 10K JA 1/6		1	
R103	RDD1002JPAANA	CARBON 10K JA 1/6		1	
R004	RDD1002JPAANA	CARBON 10K JA 1/6		1	
R118	RDD1002JPAANA	CARBON 10K JA 1/6		1	
R003	RDD1003JPAANA	CARBON 100K JA 1/6		1	
R039	RDD1003JPAANA	CARBON 100K JA 1/6		1	
R025	RDD1003JPAANA	CARBON 100K JA 1/6		1	
R002	RDD10R0JPAANA	CARBON 10 JA 1/6		1	
R137	RDD10R0JPAANA	CARBON 10 JA 1/6		1	
R033	RDD1201JPAANA	CARBON 1.2K JA 1/6		1	
R047	RDD1201JPAANA	CARBON 1.2K JA 1/6		1	
R119	RDD1202JPAANA	CARBON 12K JA 1/6		1	
R020	RDD1502JPAANA	CARBON 15K JA 1/6		1	
R021	RDD1502JPAANA	CARBON 15K JA 1/6		1	
R140	RDD1502JPAANA	CARBON 15K JA 1/6		1	

# ELECTRICAL PARTS LIST (6)

LOC No.	PARTS CODE	DESCRIPTION	OR USE	Q'ty	USE TO
R008	RDD1802JPAANA	CARBON 18K JA 1/6		1	
R100	RDD1802JPAANA	CARBON 18K JA 1/6		1	
R101	RDD1802JPAANA	CARBON 18K JA 1/6		1	
R110	RDD1802JPAANA	CARBON 18K JA 1/6		1	
R111	RDD1802JPAANA	CARBON 18K JA 1/6		1	
R057	RDD1803JPAANA	CARBON 180K JA 1/6		1	
R058	RDD1803JPAANA	CARBON 180K JA 1/6		1	
R090	RDD1R00JPAANA	CARBON 1 JA 1/6		1	
R114	RDD2200JPAANA	CARBON 220 JA 1/6		1	
R115	RDD2200JPAANA	CARBON 220 JA 1/6		1	
R138	RDD2200JPAANA	CARBON 220 JA 1/6		1	
R139	RDD2201JPAANA	CARBON 2.2K JA 1/6		1	
R012	RDD2202JPAANA	CARBON 22K JA 1/6		1	
R015	RDD2202JPAANA	CARBON 22K JA 1/6		1	
R022	RDD2202JPAANA	CARBON 22K JA 1/6		1	
R042	RDD2202JPAANA	CARBON 22K JA 1/6		1	
R120	RDD2202JPAANA	CARBON 22K JA 1/6		1	
R121	RDD2202JPAANA	CARBON 22K JA 1/6		1	
R122	RDD2202JPAANA	CARBON 22K JA 1/6		1	
R123	RDD2202JPAANA	CARBON 22K JA 1/6		1	
R124	RDD2202JPAANA	CARBON 22K JA 1/6		1	
R126	RDD2202JPAANA	CARBON 22K JA 1/6		1	
R017	RDD2402JPAANA	CARBON 24K JA 1/6		1	
R013	RDD2700JPAANA	CARBON 270 JA 1/6		1	
R018	RDD2701JPAANA	CARBON 2.7K JA 1/6		1	
R027	RDD3300JPAANA	CARBON 330 JA 1/6		1	
R044	RDD3300JPAANA	CARBON 330 JA 1/6		1	
R014	RDD3301JPAANA	CARBON 3.3K JA 1/6		1	
R005	RDD3302JPAANA	CARBON 33K JA 1/6		1	
R026	RDD3302JPAANA	CARBON 33K JA 1/6		1	
R006	RDD4302JPAANA	CARBON 43K JA 1/6		1	
R061	RDD4700JPAANA	CARBON 470 JA 1/6		1	
R128	RDD4701JPAANA	CARBON 4.7K JA 1/6		1	
R028	RDD4702JPAANA	CARBON 47K JA 1/6		1	
R030	RDD4702JPAANA	CARBON 47K JA 1/6		1	
R031	RDD4702JPAANA	CARBON 47K JA 1/6		1	
R049	RDD5600JPAANA	CARBON 560 JA 1/6		1	
R011	RDD5601JPAANA	CARBON 5.6K JA 1/6		1	
R116	RDD5601JPAANA	CARBON 5.6K JA 1/6		1	
R117	RDD5601JPAANA	CARBON 5.6K JA 1/6		1	
R019	RDD5602JPAANA	CARBON 56K JA 1/6		1	
R046	RDD5602JPAANA	CARBON 56K JA 1/6		1	
R045	RDD6800JPAANA	CARBON 680 JA 1/6		1	
R050	RDD6801JPAANA	CARBON 6.8K JA 1/6		1	
R010	RDD6802JPAANA	CARBON 68K JA 1/6		1	
R048	RDD8200JPAANA	CARBON 820 JA 1/6		1	
R034	RDD8201JPAANA	CARBON 8.2K JA 1/6		1	
R104	RDD8201JPAANA	CARBON 8.2K JA 1/6		1	
R105	RDD8201JPAANA	CARBON 8.2K JA 1/6		1	
Q16	T2SA1317-S--C	TR 2SA1317-S-AC		1	
Q01	T2SA933AS-R-C	TR 2SA933AS-TP-R		1	
Q15	T2SC3330-S--C	TR 2SC3330-S-AC		1	
Q10	T2SD1936-T--C	TR 2SD1936-T-AC		1	
Q11	T2SD1936-T--C	TR 2SD1936-T-AC		1	

## ELECTRICAL PARTS LIST (7)

LOC No.	PARTS CODE	DESCRIPTION	OR USE	Q'ty	USE TO
Q12	TDTA124ESA--C	TR DTA124ESA-TP	AA1	1	
Q12	T2SA1346----C	TR 2SA1346-AC	AA2	1	
Q13	TDTC124ESA--C	TR DTC124ESA-TP		1	
Q14	TDTC124ESA--C	TR DTC124ESA-TP		1	
X1	42259711010	CRYSTAL 16.9344MHZ		1	
CN04	42369731400	PLUG 4P		1	
CN06	42369749000	PLUG 3P		1	
CN05	42369749200	PLUG 6P,PH,V		1	
	13126201215000	PLATE HEAT SINK		1	IC7
	13126201215000	PLATE HEAT SINK		1	IC8
IC4	CEC2425001200	HEAT SINK		1	19970305
JK01	1EA4J12A07400	JACK,2P,RCA		1	
IC6	CEC4D61006500	IC OP275GP		1	
CN01	CEC4J10005429	PLUG		1	
CN02	CEC4J10005469	PLUG 29P R		1	
W06	CEC4J13013900	CONNECTOR 3-5P PH ASSY		1	CN06 JP7
X2	CEC4V10000900	RESONATOR,CSA12.0MTZ		1	
	75030000800202	TWS UL1007 AWG26 BK		1	F-F
C093	CB1E223ZFAFNN	CERAMIC 0.022U Z 25		1	
C094	CC1H221JABCNN	CERAMIC 220P J 50V		1	
C055	CE1C102MDFANN	ELECT 1000U M 16		1	
C063	CE1E222MGXANN	ELECT 2200U M 25		1	
C064	CE1H331MDFANN	ELECT 330U M 50		1	
C065	CE1H331MDFANN	ELECT 330U M 50		1	
C066	CE1H331MDFANN	ELECT 330U M 50		1	
C067	CE1H331MDFANN	ELECT 330U M 50		1	
C092	CK1H103ZFAFNN	CERAMIC 0.01U Z 50		1	
D11	DZGZB24B----N	ZENER DIODE GZB24B		1	
IC4	QLA6541D----N	IC LA6541D		1	
IC2	QLA9240M----N	IC LA9240M		1	
IC5	QLB1648----N	IC LB1648		1	
IC1	QLC78622E---N	IC LC78622E		1	
IC8	QNJM7805FA--N	IC NJM7805FA	AA1	1	
IC8	CEC4D61006200	IC L7805CV	AA2	1	
IC7	QNJM7808FA--N	IC NJM7808FA	AA1	1	
IC7	CEC4D61006400	IC L7808CV	AA2	1	
IC3	QXXGA0030767N	IC LC866012C-5E84		1	
R141	RDD1003JPAANN	CARBON 100K JA 1/6		1	
R080	RFXEA0084R70N	FUSIBLE RES 4.7 J- 1/2		1	
R081	RFXEA0084R70N	FUSIBLE RES 4.7 J- 1/2		1	
R082	RFXEA0162200N	FUSIBLE RES 220 JA 1/4		1	
	SFBDN306R0SE-	SCR S-TPG BIN 3X6		1	IC7
	SFBDN306R0SE-	SCR S-TPG BIN 3X6		1	IC8



## ELECTRICAL PARTS LIST (8)

LOC No.	PARTS CODE	DESCRIPTION	OR USE	Q'ty	USE TO
<b>DIGI OUT P.C.B. ASSY</b>					
45-06	CEC0B10026320	ASSY,PCB,DIGI OUT		1	
	CEC4B10026320	PCB DIGI OUT		1	
MH501	CEC2376000300	TERMINAL,GND,M1698		1	
J502	CEC4J12000500	JACK		1	
J501	CEC4J12001201	JACK RCA 1P		1	
T501	1EA4L13A00100	TRANS,PULSE		1	
JS01	1EA4W3JP0500T	LEAD JUMPER P 5.0		1	
CN501	42369749100	PLUG 5P		1	
C503	CB1E822KBERLC	CERAMIC	K 25V	1	
C501	CC1H221JABGLC	CERAMIC	J 50	1	
C504	CE0J101MAEALC	ELECT	M 6.3	1	
C505	CK1H102KFABNA	CERAMIC	K 50	1	
C502	CK1H121KAFBLC	CERAMIC	K 50	1	
R501	RDD75R0JPAANA	CARBON	JA 1/6	1	
R502	RDD47R0JPAANA	CARBON	JA 1/6	1	
R503	RDD1000JPAANA	CARBON	JA 1/6	1	
IC501	CECDCPC80000N	PHOTO COUPLE PC817B		1	



# CABINET PARTS LIST

LOC No.	PARTS CODE	DESCRIPTION	OR USE	Q'ty	USE TO
31-00	CEC0111001200	ASSY,CABINET		1	
31-41	14124729042000	LUG		1	
31-90	CEC2311003503	CHASSIS		1	
31-91	CEC2321000500	BRACKET-M RIGHT		1	
31-92	CEC2322001200	BRACKET-M,CABINET		1	TRANS-FR
31-93	CEC2332001300	BASE LEFT		1	
31-94	CEC2338003900	ANGLE		1	
31-95	CEC2351000800	JOINT		1	
31-96	1EA2366A00800	STOPPER		2	
31-97	CEC2383004800	WASHER,SPECIAL		1	
31-98	CEC2446000200	BUSHING,NIFCO 2271		1	
31-99	CEC2571000800	FELT		1	
31-100	SFBDN306R0SE-	SCR S-TPG BIN 3X6		18	
31-101	SFBDN308R0SM-	SCR S-TPG BIN 3X8		18	
31-102	SFSTN406R0SE-	SCR S-TPG TR S4X6		1	TRANS-FR
31-103	SM2DS306R0SM-	SCR BIN+SW M3X6		1	DIGITAL
31-104	CEC2448003100	PAD		1	
45-04	CEC0B10026530	ASSY,PCB,POWER		1	
45-04	CEC0B10026560	ASSY,PCB,POWER		1	
45-04	CEC0B10026640	ASSY PCB POWER		1	
45-05	CEC0B10025602	ASSY,PCB,MAIN		1	
45-06	CEC0B10026320	ASSY,PCB,DIGI OUT		1	
51-00	CEC0141004400	ASSY,ESCUTCHEON+PCB		1	
51-06	CEC2121000910	COVER		1	
51-08	CEC2174004600	KNOB,PUSH		1	
51-09	CEC2251001600	LEG		2	
51-11	CEC2144002324	DECORATION,CD		1	

# CABINET & CHASSIS PARTS LIST (1)

LOC No.	PARTS CODE	DESCRIPTION	OR USE	Q'ty	USE TO
31-00	CEC0111001200	ASSY,CABINET		1	
31-01	CEC2111002300	CABINET, TOP	AA1	1	
31-01	1EA2111A16900	CABINET, TOP	AA2	1	
31-02	CEC2451000900	HOLDER, DISC		1	
31-03	CEC2541001300	TURNTABLE, CHANGER	AA1	1	
31-03	1EA2541A00500	TURNTABLE, CHANGER	AA2	1	
31-04	CEC2641000300	MAGNET		1	
31-05	SFBDN204R0SE-	SCR S-TPG BIN 2X4		1	
31-06	1EA2121A08000	COVER, CD		1	
31-07	1EA2642A00500	YOKE, MAGNET		1	
31-08	1EA2751A00300	ROLLER, T.T		3	
31-09	13124201283000	SCREW(B TITE SEMS) Z		3	
31-11	1EA2312A00800	CHASSIS, SUB		1	
31-12	1EA2814A02700	SPRING, PLATE		1	
31-14	1EA4M10A01600	MOTOR, 6.0V		1	
31-15	42312071100	LEAF SW		1	
31-17	SFBDN205R0SE-	SCR S-TPG BIN 2X5		2	
31-18	SFBPN266R0SE-	SCR S-TPG PAN 2.6X6		2	
31-19	SM2PN262R0SE-	SCR PAN 2.6X2		2	
31-21	SWXEA09300---	SPECIAL WASHER		1	
31-22	1EA2511A06200	GEAR, IDLER		1	
31-23	1EA2721A02900	LEVER, CHANGE		1	
31-24	CEC0721000600	ASSY, LEVER, LOCK		1	
31-30	CEC0891000201	ASSY, MECHA, CD93V4M		1	
31-50	CEC2372000400	SHAFT, GEAR LOAD		2	
31-51	CEC2372000500	SHAFT, GEAR CAM		1	
31-52	1EA2511A05900	GEAR, CAM		1	
31-53	1EA2511A06000	GEAR, LOAD		1	
31-54	1EA2511A06100	GEAR, PINION		1	
31-55	1EA2524A00800	PULLEY, GEAR		1	
31-56	CEC2563000800	BELT, SQUARE		1	
31-57	CEC2816001300	SPRING, LEVER, LOCK		1	
31-60	14128529495000	SPRING DAMPER		1	
31-62	SFBDN308R0SM-	SCR S-TPG BIN 3X8		8	
31-63	SM2PN40250SE-	SCR PAN 4X25		1	
31-64	SWZ451201R0SE	WASHER Z 4.5X12X1		1	
31-70	SFBDN266R0SE-	SCR S-TPG BIN 2.6X6		6	DISPLAY
31-70	42312070100	LEVER SW 1P1T		1	
31-71	42319798900	LEAF SW		1	
31-72	CEC4M10003000	MOTOR		1	
31-73	1EA2523A01600	PULLEY, MOTOR		1	
31-74	CEC2332001200	BASE RIGHT		1	
31-75	CEC2771000300	PIN GEAR		3	
31-76	CEC2771000500	PIN POST		1	
31-77	CEC2563000900	BELT, SQUARE		1	
31-80	SM2DN268R0SE-	SCR BIN 2.6X8		2	
31-81	ST3PN178R0SM-	SCR TPG PAN 1.7X8		1	LEVER SW
31-82	1EA2511A08000	GEAR, LOAD		1	
31-83	1EA2511A08101	GEAR, RETURN		1	
31-84	1EA2524A01200	PULLEY		1	
31-85	1EA2815A00400	SPRING, WIRE		1	
31-86	14124729071000	WIRE BAND		1	

## CABINET & CHASSIS PARTS LIST (2)

LOC No.	PARTS CODE	DESCRIPTION	OR USE	Q'ty	USE TO
45-01	CEC0B10023700	ASSY,PCB,SUB		1	
45-02	CEC0B10010630	ASSY,PCB,SENSOR	AA2	1	
45-02	CEC0B10025700	ASSY,PCB,SENSOR	AA1	1	
45-03	CEC0B10026300	ASSY PCB DISPLAY		1	
51-01	CEC2141002414	ESCUTCHEON		1	
51-02	CEC2163003700	BADGE		1	ESC
51-03	CEC2175009700	BUTTON,PLAY		1	ESC
51-04	CEC2571000800	FELT		2	ESC
51-05	CEC2164003516	WINDOW		1	ESC
51-06	CEC2121000910	COVER		1	
51-06	CEC2154001800	PANEL,SIDE LR		2	ESC-SIDE
51-07	CEC2144002324	DECORATION,CD		1	
51-07	CEC2461000900	ADHESIVE,SHEET		2	SIDE PAN
W10	CEC4W30008701	WIRE,JUMPER,29P		1	DISPLAY

## CD MECHANISM PARTS LIST

LOC No.	PARTS CODE	DESCRIPTION	OR USE	Q'ty	USE TO
31-30	CEC0891000201	ASSY, MECHA, CD93V4		1	
31-32	13924901	MECHA, CD93V4CEC		1	
1-1	1EA0A41A09403	ASSY, PICKUP, LASER, P100		1	"Non-Repairable"
1-2	1EA0M10A03900	ASSY, MOTOR, SLIDE (DC 3V, 300mW)		1	
1-3	1EA0M10A04200	ASSY, MOTOR, SPINDLE (DC 2V, 180mW)		1	
1-4	1EA2311A06800	CHASSIS		1	
1-5	1EA2362A02000	GUIDE, SHAFT		1	"Non-Repairable"
1-6	1EA2511A11900	GEAR, IDLER, A		1	
1-7	1EA2511A12000	GEAR, IDLER, B		1	
1-8	1EA2511A12100	GEAR, IDLER, C		1	
1-9	1EA2511A12300	GEAR, RACK		1	"Non-Repairable"
1-10	1EA4S13A00900	SWITCH, LEAF		1	
1-11	---42369750000	PLUG, 6P		1	
1-12	1EA4B10A86700	PCB, MOTOR		1	
1-21	SFBDN206R0SE-	SCR S-TPG BIN 2X6		1	
1-22	SM2PS173R5SE-	SCR PAN+SW 1.7X3.5		2	
1-23	SEXEA08700---	SCREW, SPECIAL, MOTOR		2	
1-24	SFXEA01300---	SCREW, SPECIAL, RACK		2	"Non-Repairable"
1-25	SFBPY207R0SE-	SCR S-TPG PAN+FLG 2X7		1	"Non-Repairable"

# PARTS LIST

LOC No.	PARTS CODE	DESCRIPTION	OR USE	Q'ty	USE TO
31-33	1EA2571A02600	FELT,PLATE,GUIDE,DISC		1	
31-41	14124729042000	LUG		1	
70-01	CEC4U10002204	REMOCON		1	BAG FAN
70-02	CEC4W20004000	PLUG,CORD,RCA		1	BAG FAN
70-04	CEC6P10002630	MANUAL		1	BAG FAN
70-05	13162719104010	BAG FAN		1	
70-06	CEC4D10000700	BATTERY		2	BAG FAN
W05	CEC4J13003501	CONNECTOR 6P ASSY		1	
W06	CEC4J13013900	CONNECTOR 3-5P PH ASSY		1	CN06 JP7
W10	CEC4W30008701	WIRE,JUMPER,29P		1	DISPLAY
80-02	CEC6K40000701	SHEET		1	
80-03	CEC6K41009300	PAD,FRONT		1	
80-04	CEC6K41009310	PAD,REAR		1	
80-05	CEC6K42015200	PAD,PLAIN		2	PAD,REAR
	CEC6P49017300	LABEL,OUTPUT		1	CHASSIS,
	CEC6P41001700	LABEL,SERIAL,NO		3	SET,CART
<b>for USA</b>					
	CEC6P40012330	LABEL,RATING		1	
	CEC6P47001901	LABEL SAFETY		1	
	CEC6P49014400	LABEL,DATE,CODE		1	
70-07	CEC6P30006400	CARD,WARRANTY		1	BAG FAN
80-01	CEC6K20003200	OUTER CARTON		1	2PCS/CAR
80-02	CEC6K21016430	CARTON		1	
<b>for EUR</b>					
80-01	CEC6K20003200	OUTER CARTON		1	2PCS/CAR
80-02	CEC6K21016430	CARTON		1	
	14124729071000	WIRE BAND		1	
	1EA6P47A00300	LABEL SAFETY(LASER)		1	
	CEC4Z21000500	CORE		1	
	CEC6P40012340	LABEL RATING		1	
<b>for AUS</b>					
	CEC6P47004200	LABEL SAFETY		2	
80-01	CEC6K20003260	OUTER CARTON		1	2PCS/CAR
80-02	CEC6K21016460	CARTON		1	
	14124729071000	WIRE BAND		1	
	1EA6P47A00300	LABEL SAFETY(LASER)		1	
	CEC4Z21000500	CORE		1	
	CEC6P40012360	LABEL RATING		1	

# ADJUSTMENT PROCEDURES

## BEFORE CHECKING OR ADJUSTING CD PLAYER

1. Procedures for all adjustments for the CD player from start to finish are described below.
2. If no problems are found after each item is checked when the pick-up is replaced, there is no need to adjust all items again.

### 1. CONFIRMING HF LEVEL

- Connect the Probe's GND side to JP66 (VREF) and the HOT side to JP114 (HF) with an oscilloscope. (use at 10 : 1)
- Play the compact disc, and check the EYE-Pattern is shown.  
(The EYE-Pattern level is normally around 2V p-p)

### 2. CONFIRMING PLL FREERUN

- Connect the Probe's GND side to JP25 (GND) and the HOT side to JP113 (PCK) with a frequency counter. (use at 10 : 1)
- Check the frequency counter indicator reads 4.3218MHz (4.32~4.33MHz).

### 3. CONFIRMING F-OFFSET (TEST MODE)

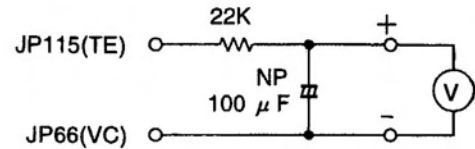
- Connect a DC voltmeter between JP118 (FD) and JP66 (VC).
- Press the "TIME" key in stop mode. (The indicator shows F OFFS)
- Measure the voltage.
- Press the "TIME" key again.

### 4. CONFIRMING T-OFFSET (TEST MODE)

- Connect a DC voltmeter between JP117 (TO) and JP66 (VC).
- Press the "REPEAT" key in stop mode. (The indicator shows OFFS)
- Measure the voltage.
- Press the "REPEAT" key again.

### 5. CONFIRMING E-F BALANCE (TE LEVEL) (TEST MODE)

- Connect an oscilloscope between JP115 (TE) and JP66 (VC).
- Connect a low-pass filter between JP115 (TE) and JP66 (VC), and then connect a Center-DCV to its output.
- Press the "PLAY" key. (to be play mode)
- Press the "INTRO SCAN" key. (The indicator shows EF)
- Measure the offset level.
- Press the "INTRO SCAN" key again.



\*The compact disc "TEAC MCD-111" should be used.

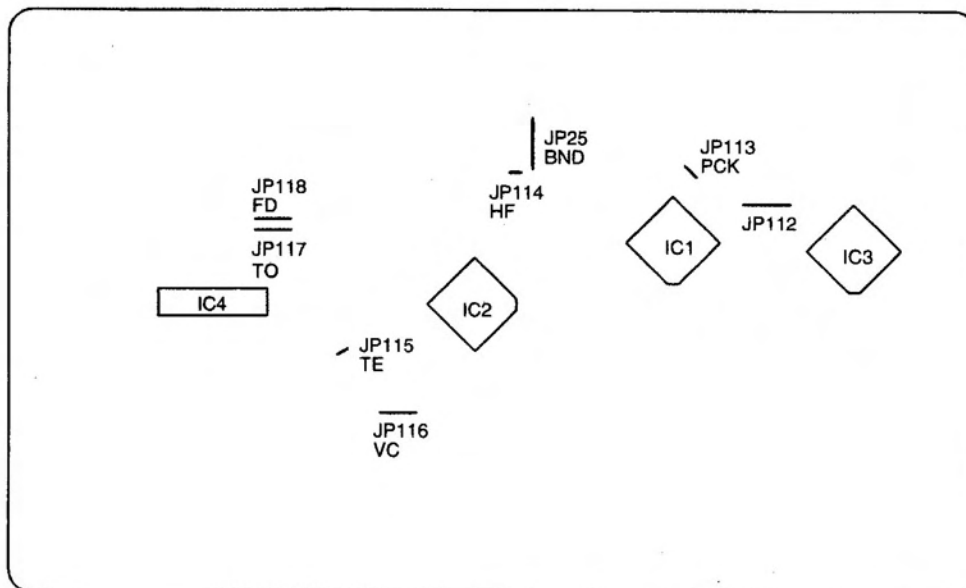
## PROCEDURES FOR SETTING UP TEST MODE

1. Press the POWER switch to turn off.
2. Attach JP112.
3. Press the POWER switch to turn on.

\* Make sure to take out JP112 after confirming to exit the test mode.

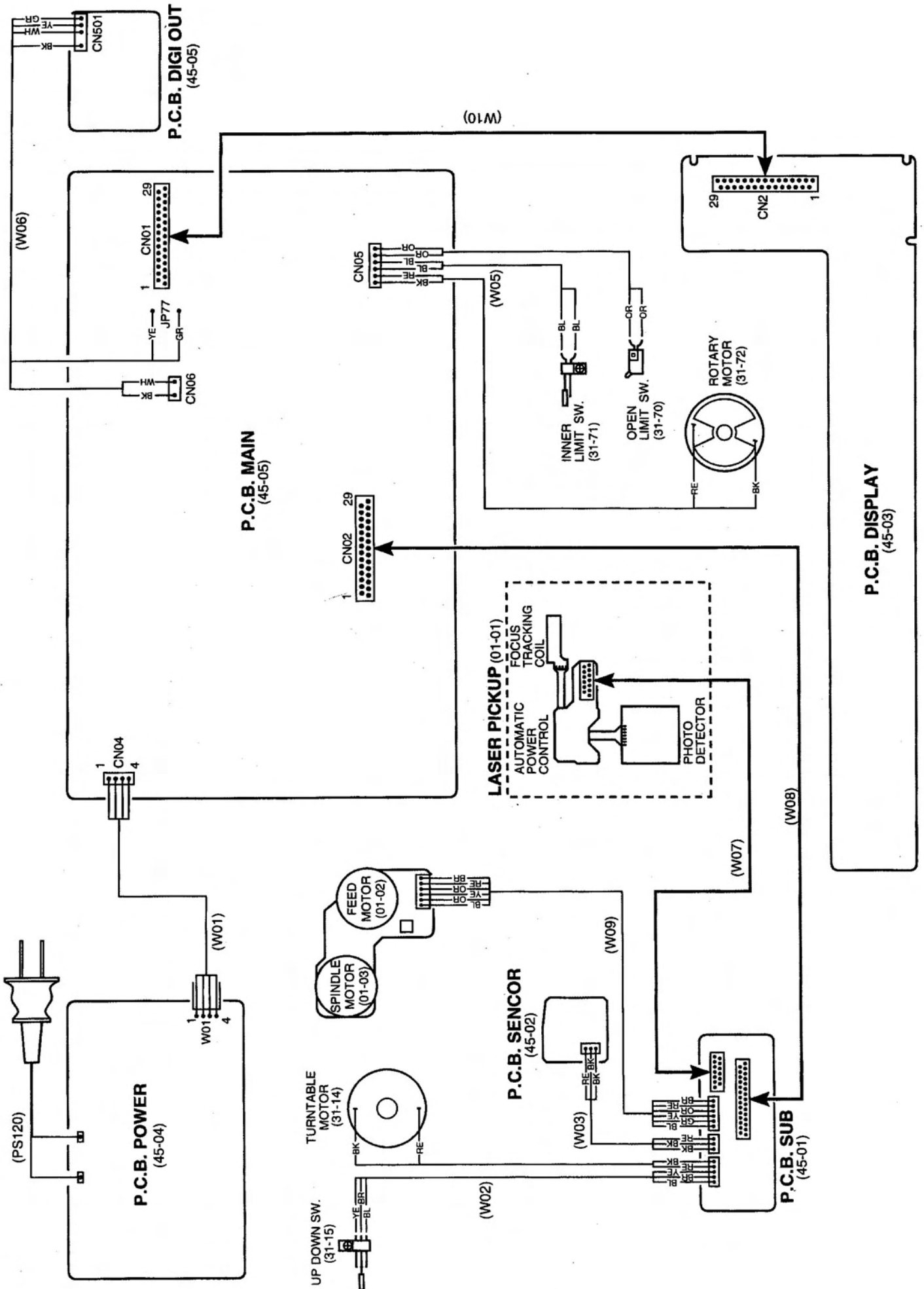
## P.C.BOARD ALIGNMENT POINTS

(45-05)

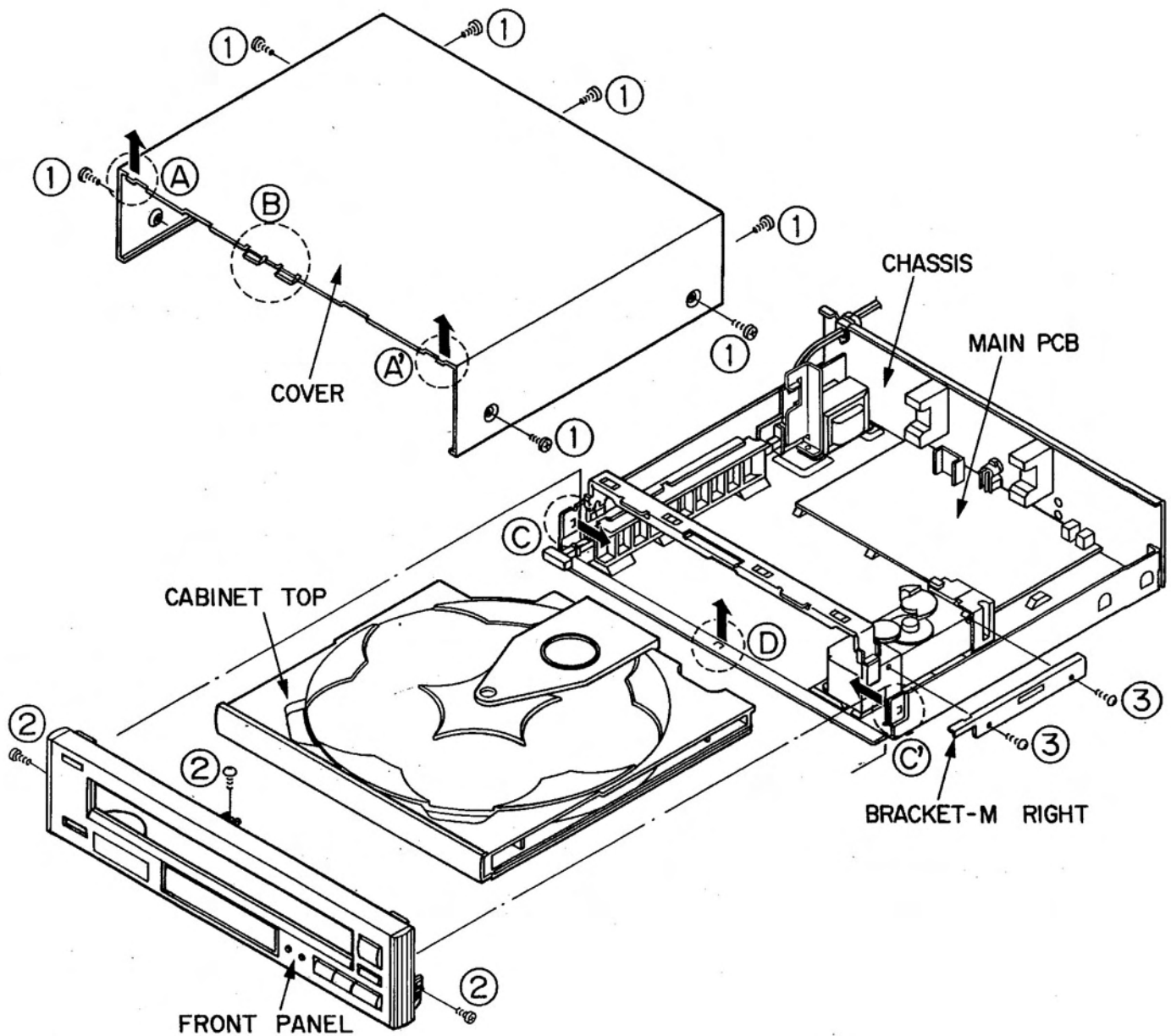




# POINT TO POINT WIRING DIAGRAM



# DISASSEMBLY INSTRUCTIONS



## GENERAL REMARKS

- Do not use a material which is likely to cause static electricity because transistors and ICs may be easily damaged by it.
- Reassemble the unit, noting the kinds of screws, the soldering and arrangement of the leads. Refer to "Schematic Diagram and Exploded Views" for correct assembly.
- Reassemble in reverse order.

## COVER REMOVAL

1. Remove seven screws (1).
2. Take the Cover by the side (A, A') and pull up.
3. Lift up the Cover (B) approximately 20 degrees and pull back towards the unit.

## FRONT PANEL REMOVAL

1. Remove the Wire Jumper 29P from the Main PCB.
2. Remove the two screws (4).
3. Remove the six screws (2).
4. Take the Chassis by the side (C, C') and apply pressure inward.
5. Take the Chassis by the front (D) and apply pressure upward.
6. Remove Front Panel from Chassis.

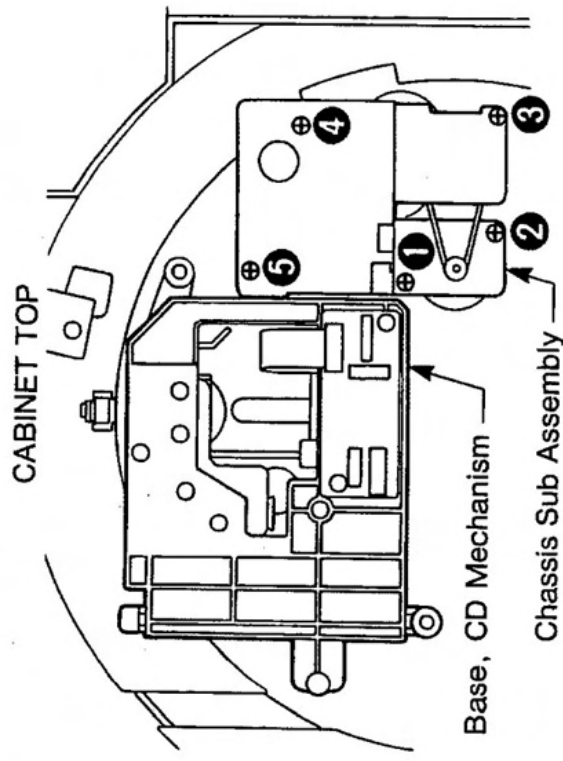
## CABINET TOP REMOVAL

1. Remove two screws (3).
2. Remove the Bracket-m Right.
3. Lift up the Cabinet Top and pull out.
4. Remove the Connectors from the Main PCB.

# DISASSEMBLY INSTRUCTIONS (Continued)

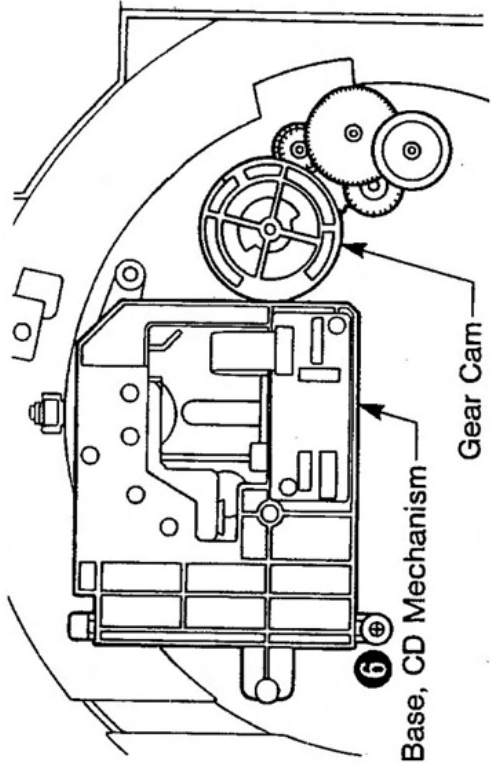
## CHASSIS ASSEMBLY REMOVAL

1. Remove the five screws (①~⑤) fastening the Chassis Sub Assy to the Cabinet Top.
2. When installing the Chassis Sub Assy, fix it by screws in numerical order.
3. Reassemble in reverse order.

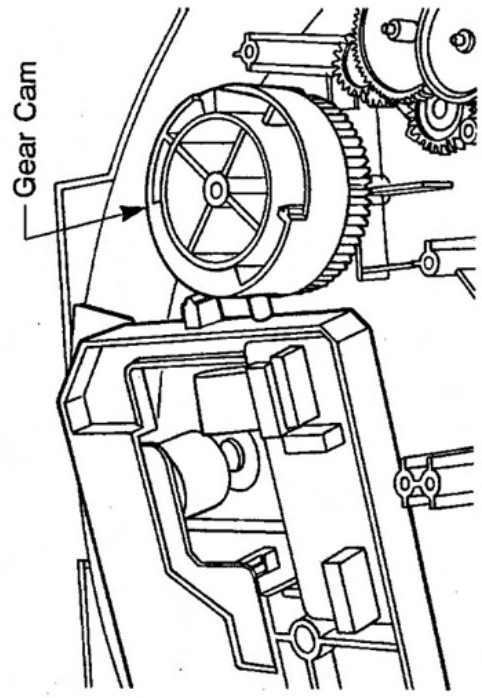


## BASE, CD MECHANISM REMOVAL

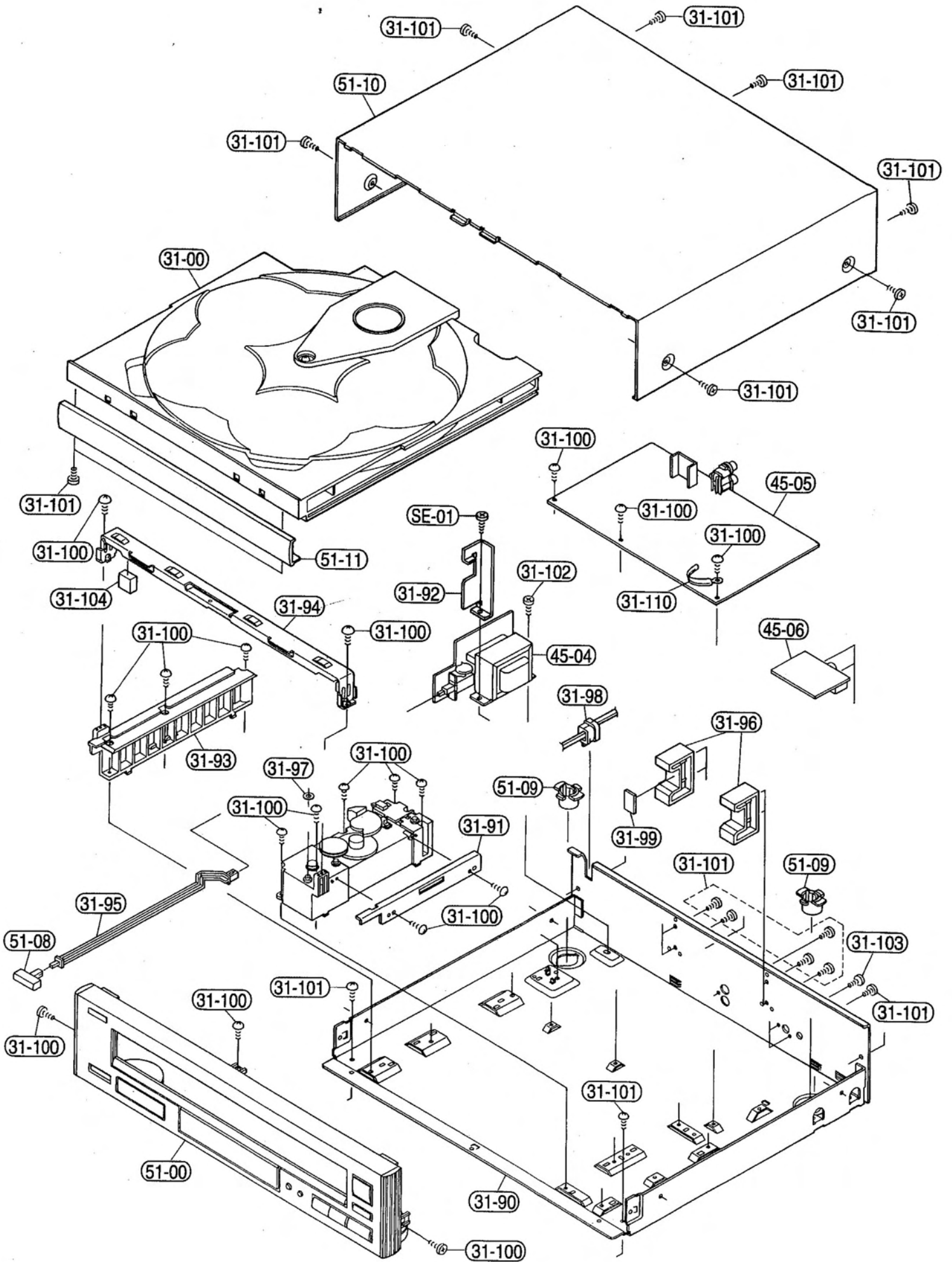
1. Remove the Chassis Sub Assy by following the instructions for it.
2. Remove the screw (⑥) fastening the Base CD Mechanism.



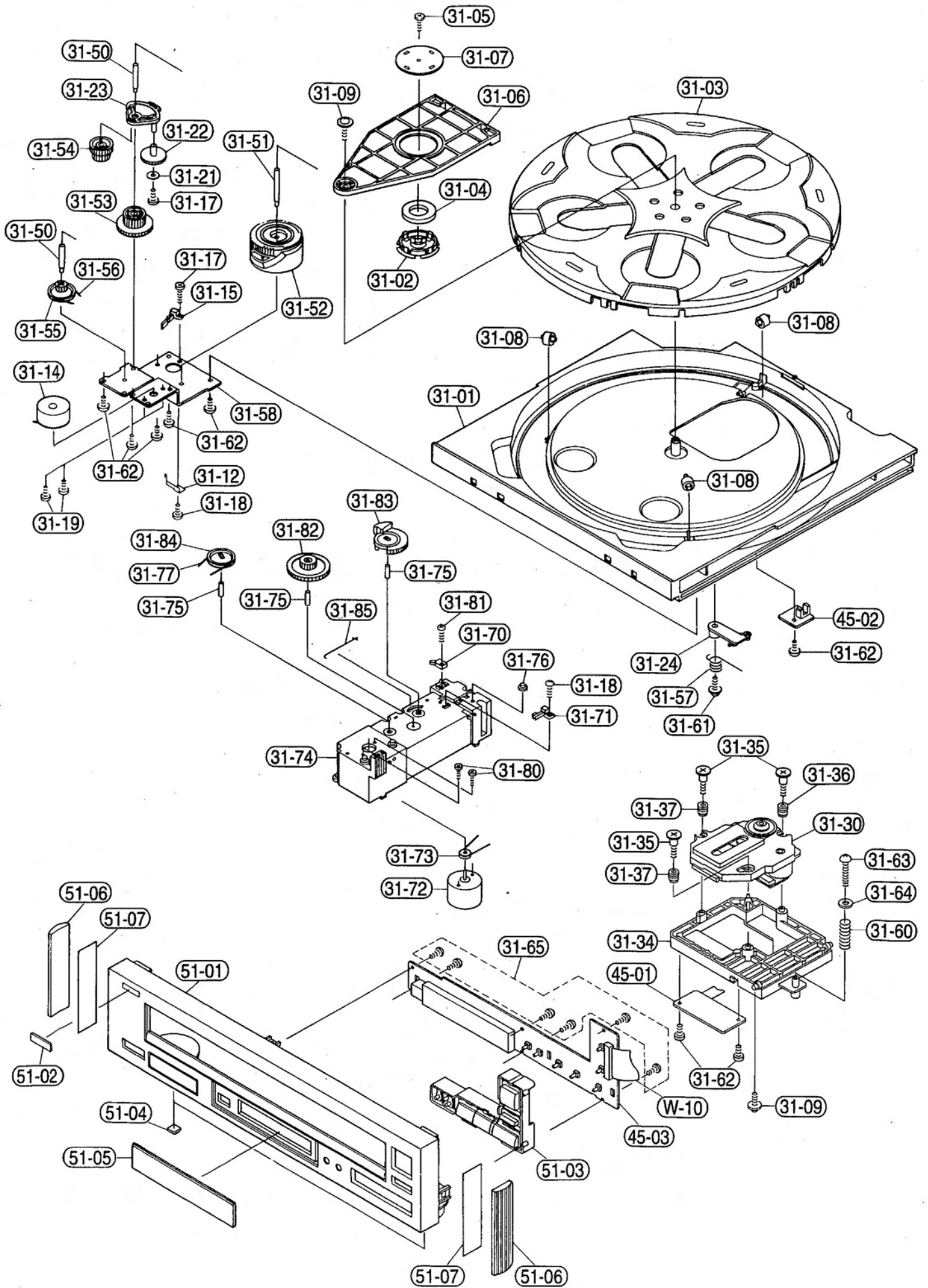
3. Remove the Base CD Mechanism by taking out the movable boss from the up and down movable groove on the side of the Gear Cam.
4. Reassemble in reverse order.



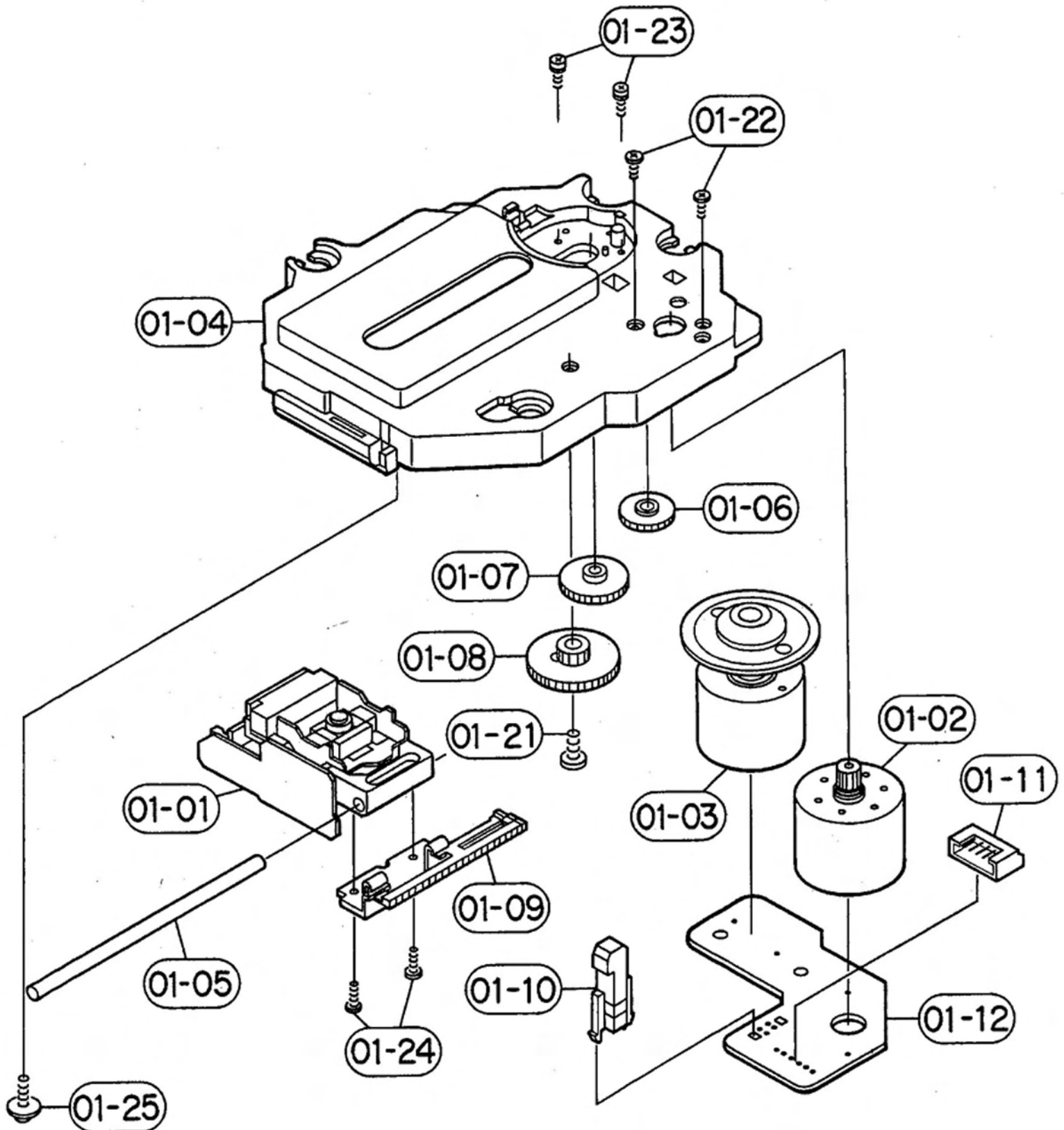
# CABINET EXPLODED VIEW



# CABINET & CHASSIS EXPLODED VIEW



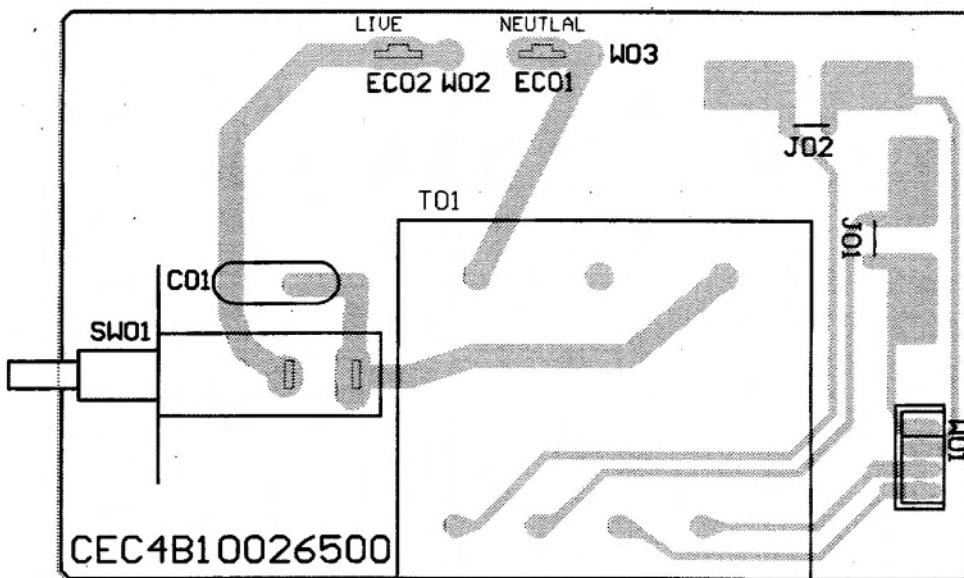
# CD MECHANISM EXPLODED VIEW



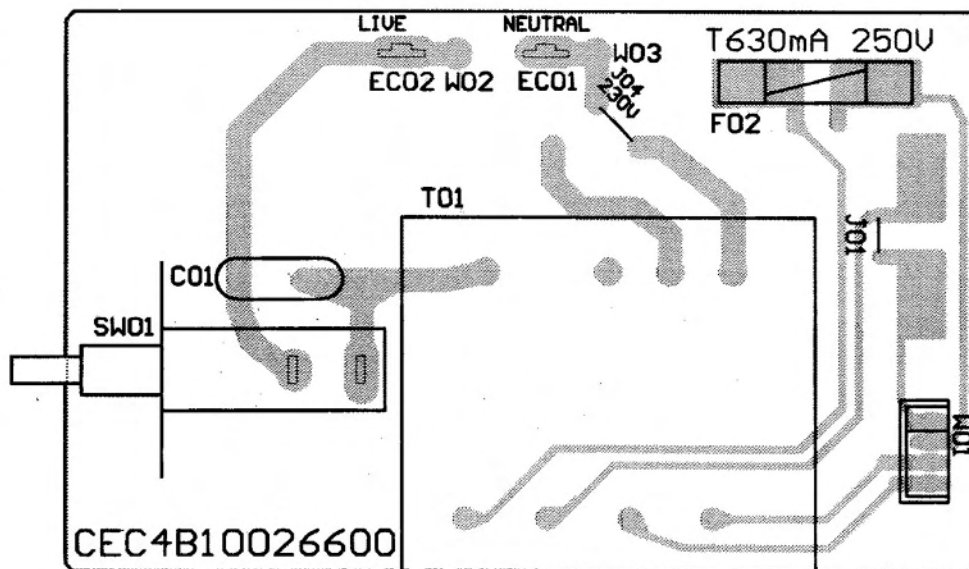


# POWER P.C.BOARDS

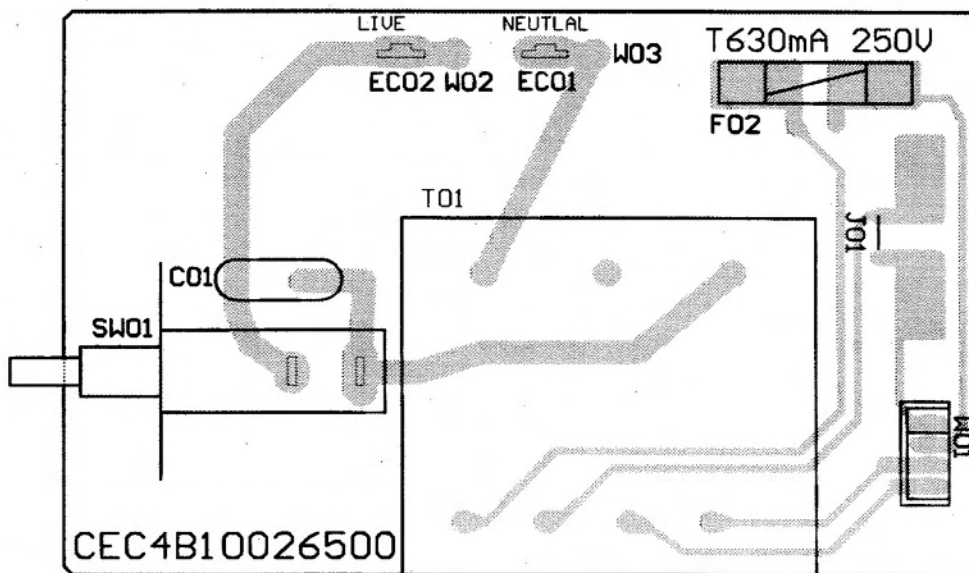
(USA)



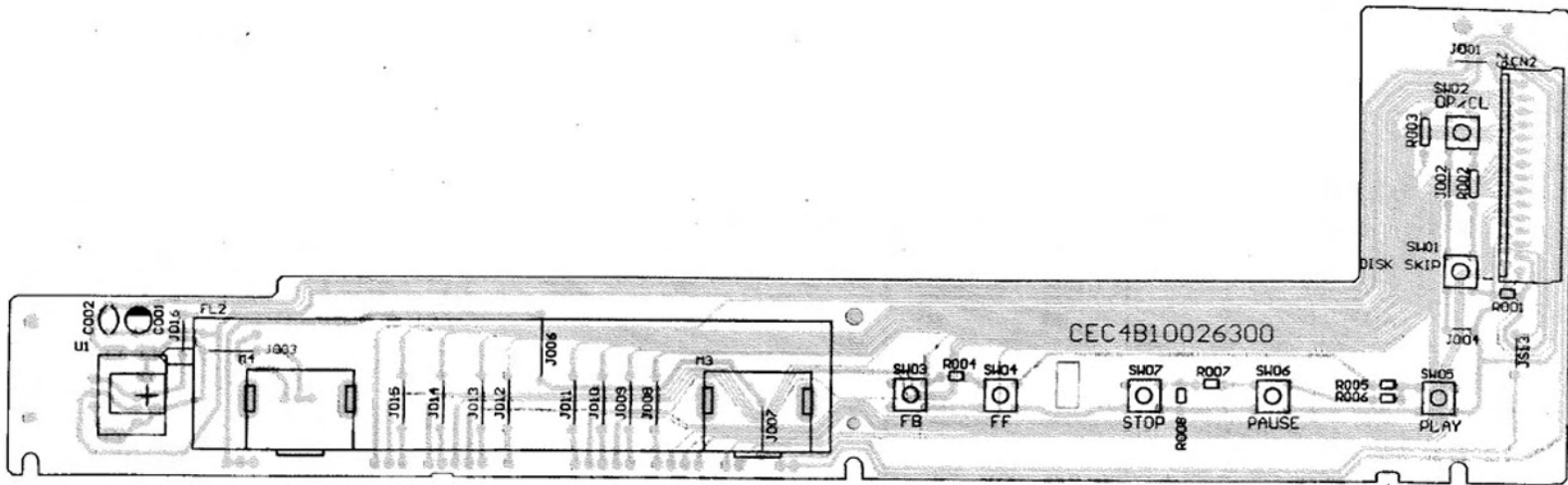
(EUR)



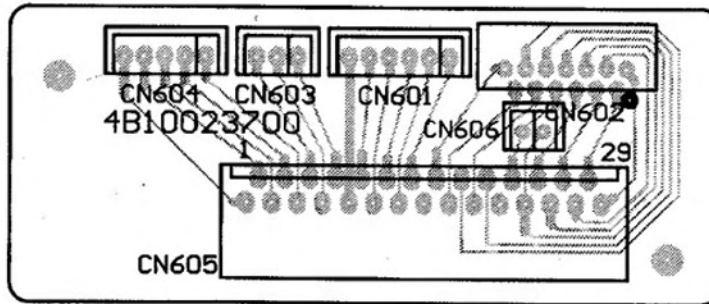
(AUS)



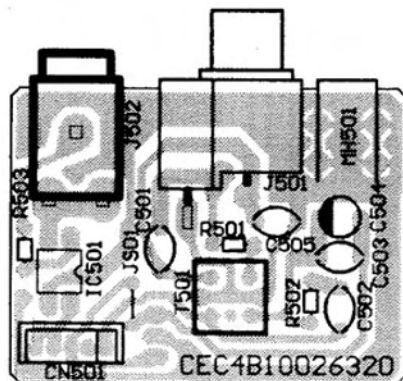
# DISPLAY P.C.BOARD



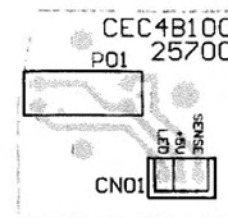
# SUB P.C.BOARD



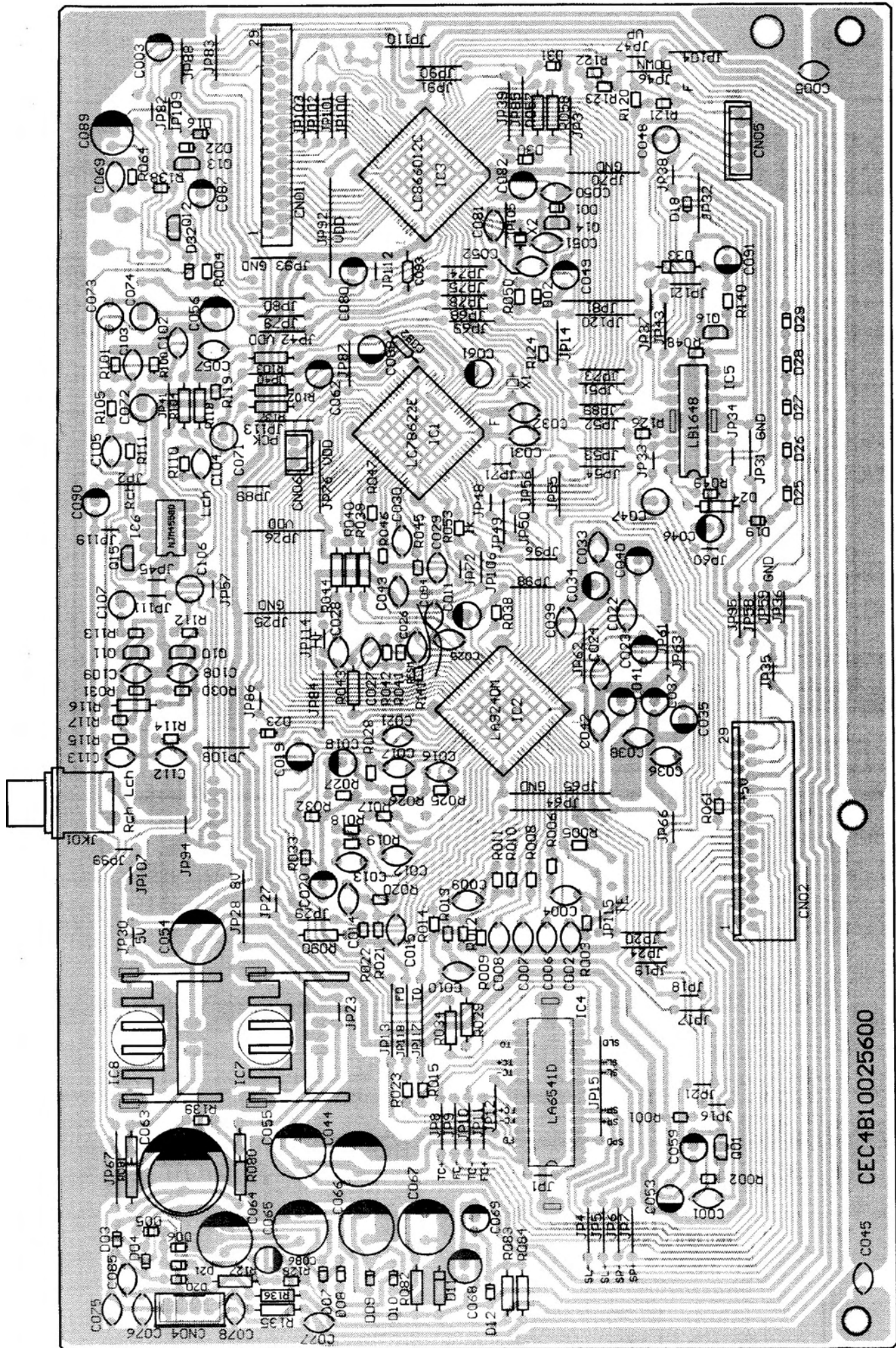
# DIGI OUT P.C.BOARD



# SENSOR P.C.BOARD

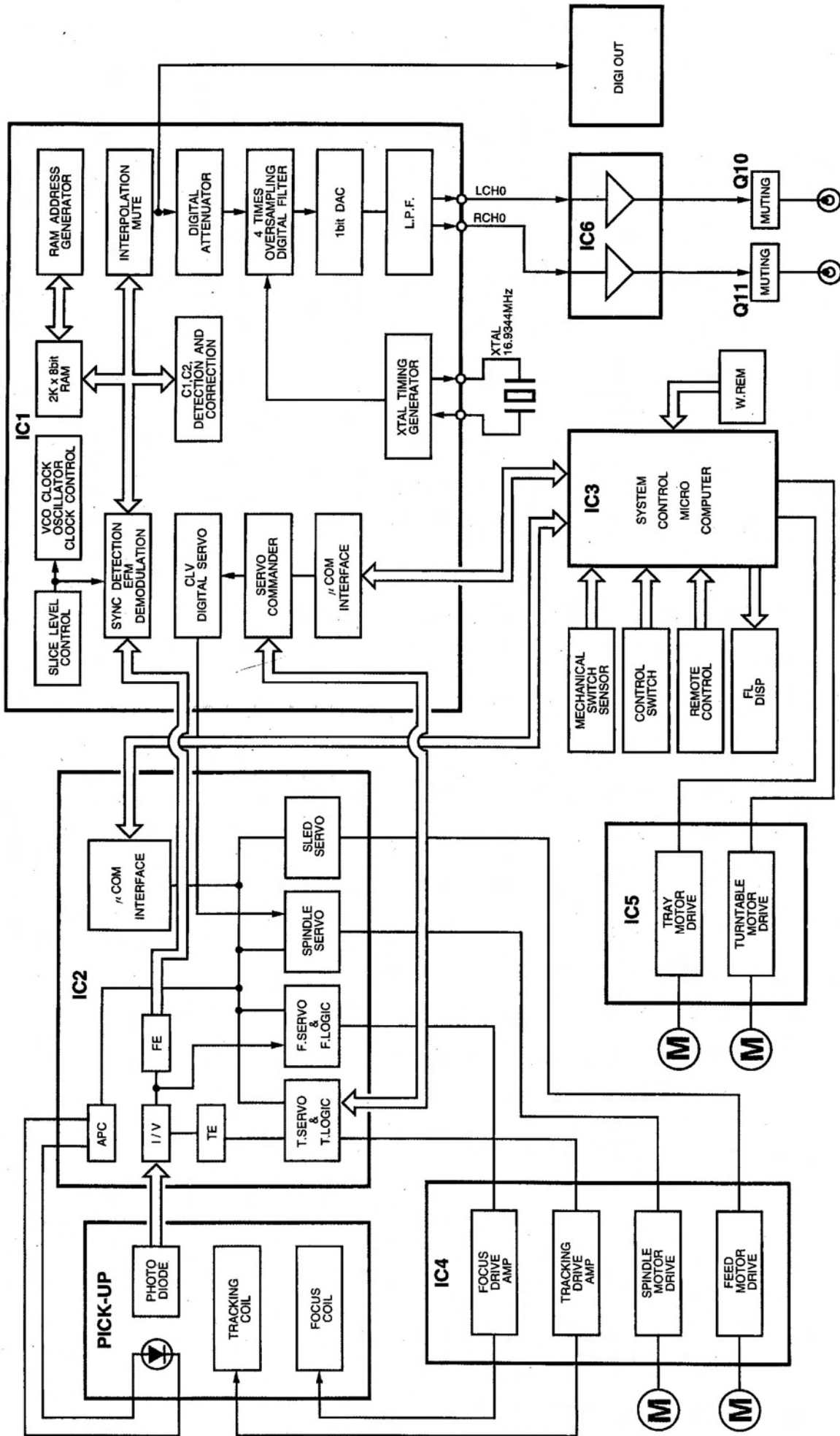


# MAIN P.C.BOARD



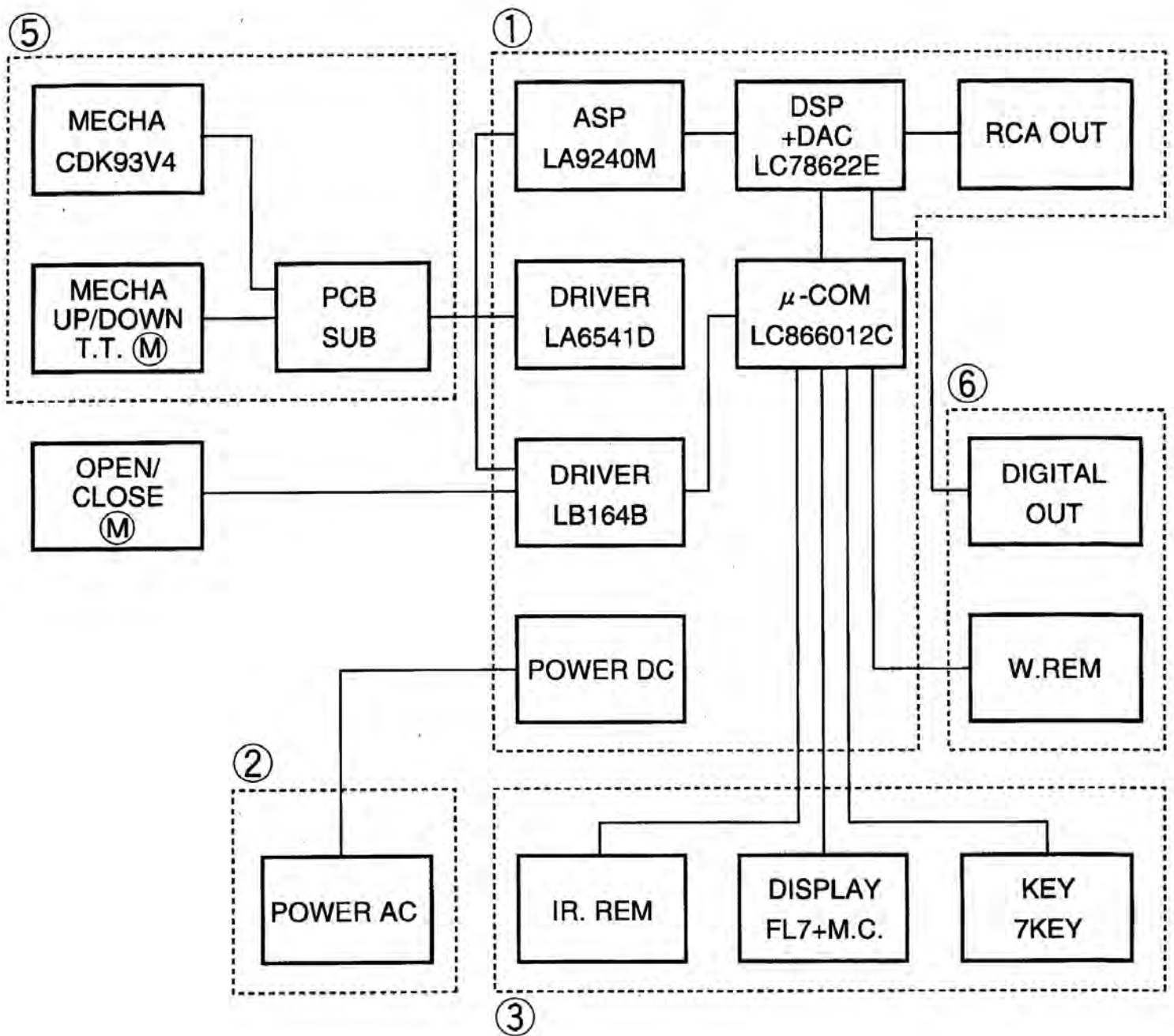
○ C045    ○ CEC4B10025600

# FUNCTIONAL BLOCK DIAGRAM





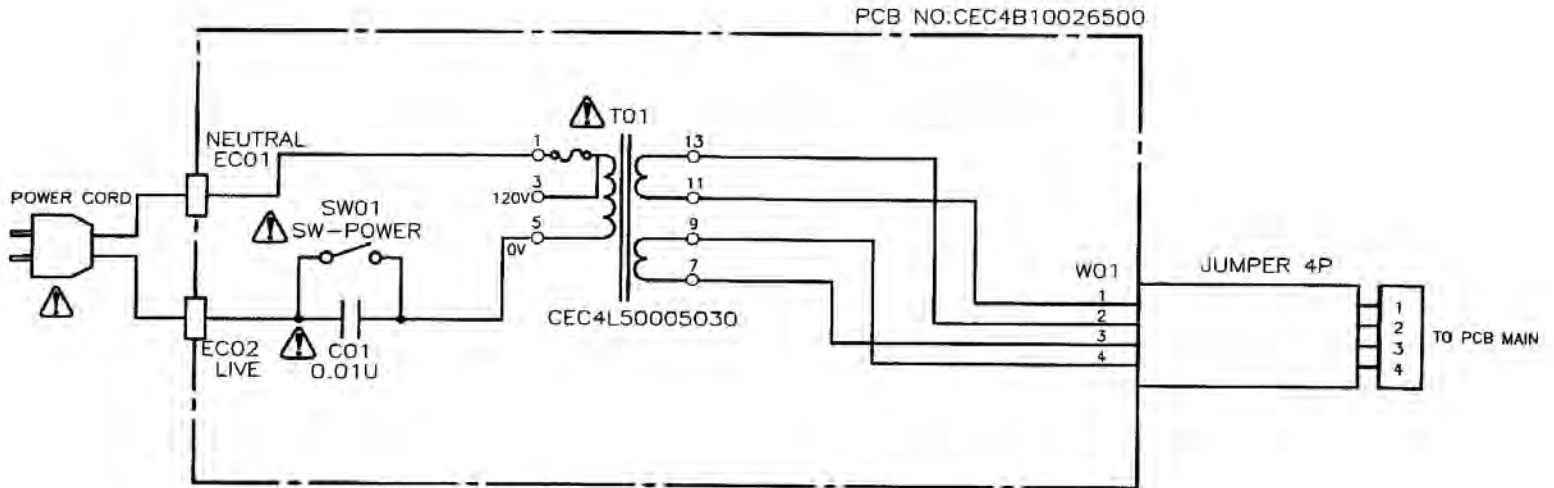
# FUNCTIONAL BLOCK DIAGRAM (Continued)



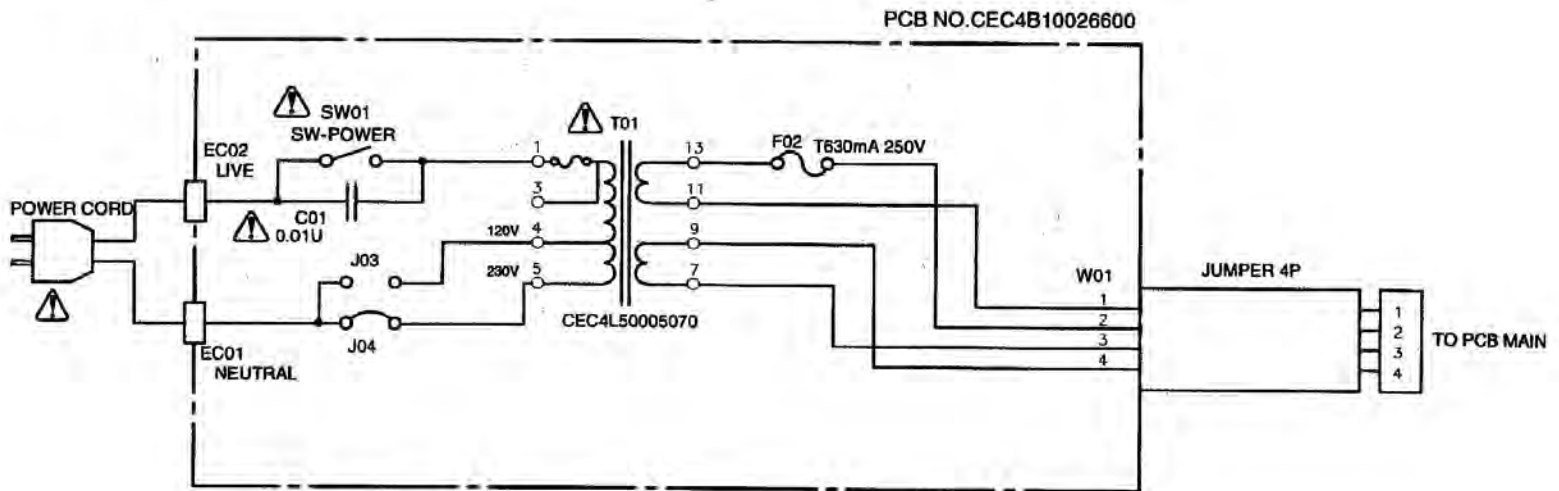
No.	CIRCUIT	USA	EUR	AUS
①	MAIN	073230	073230	073230
②	POWER	073330	073340	073360
③	DISPLAY	073230	073230	073230
④	H.P.	/	/	/
⑤	CABINET	072830	072830	072830
⑥	DIGIOUT	073230	073230	073230

# SCHEMATIC DIAGRAM (POWER)

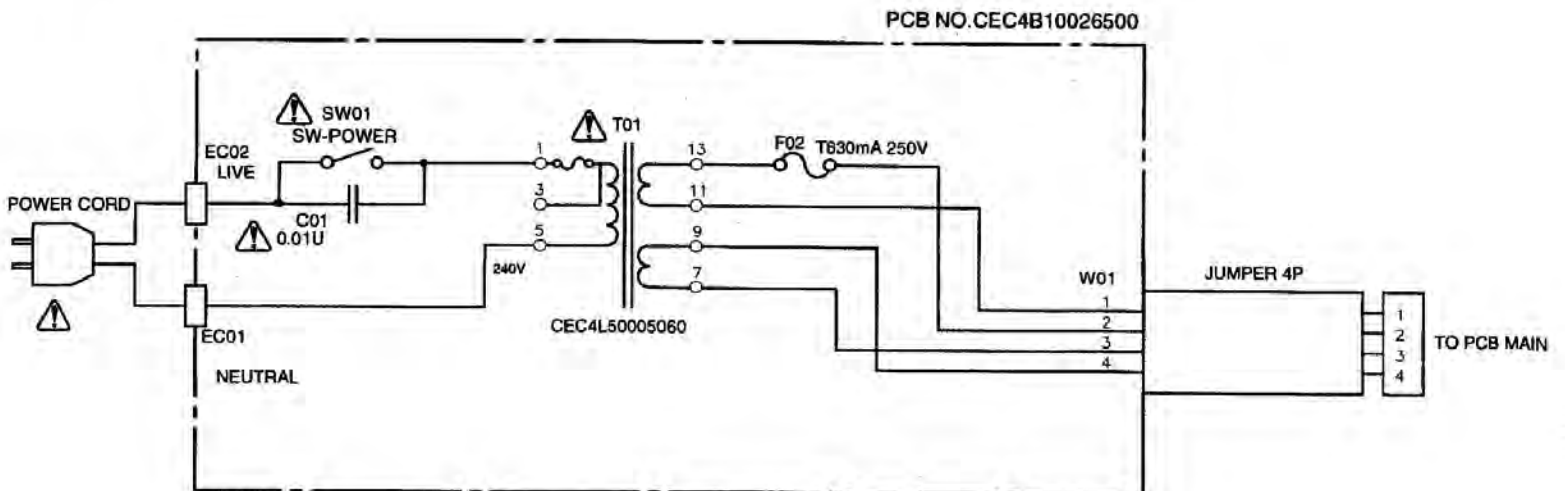
**USA**



**EUR**



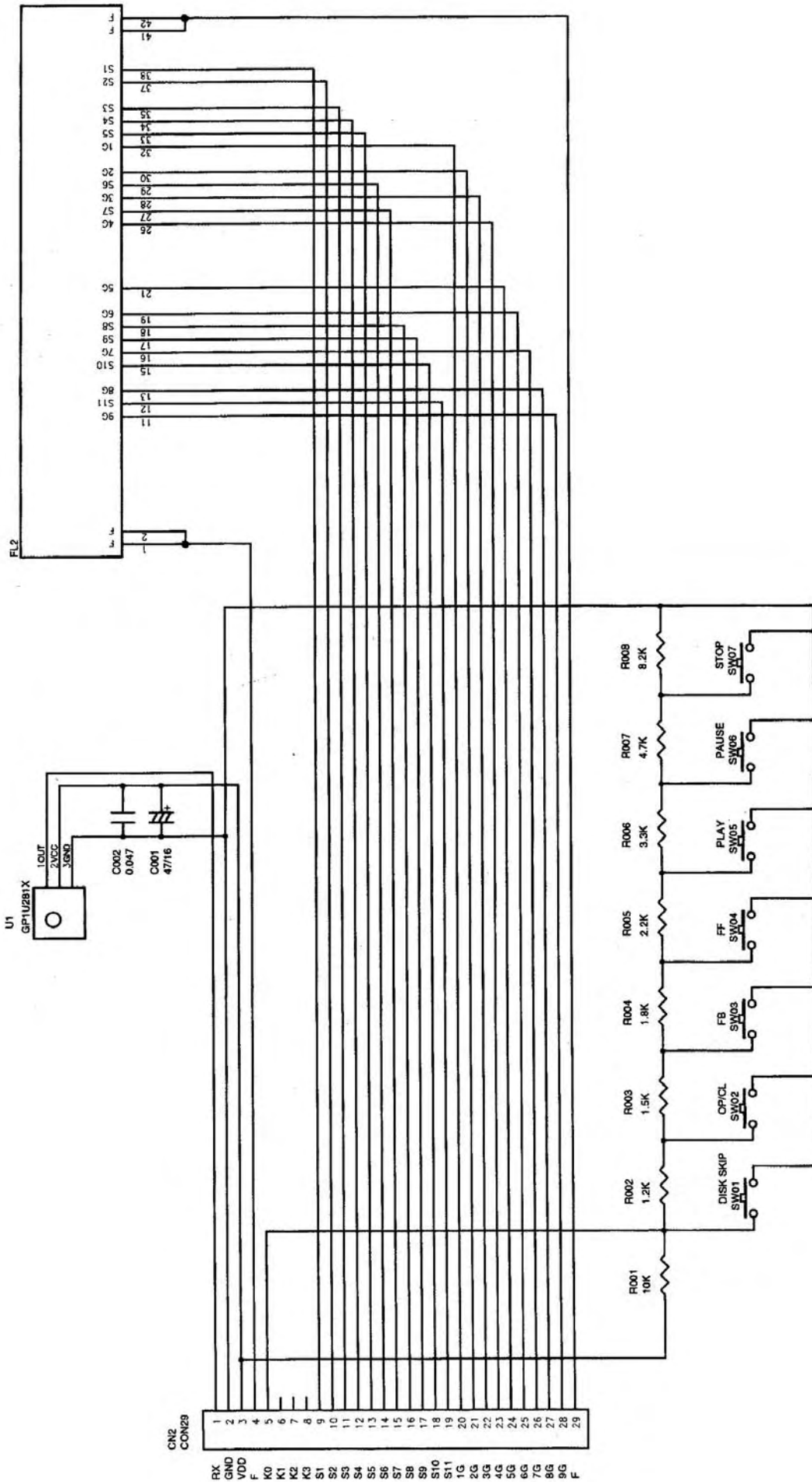
**AUS**





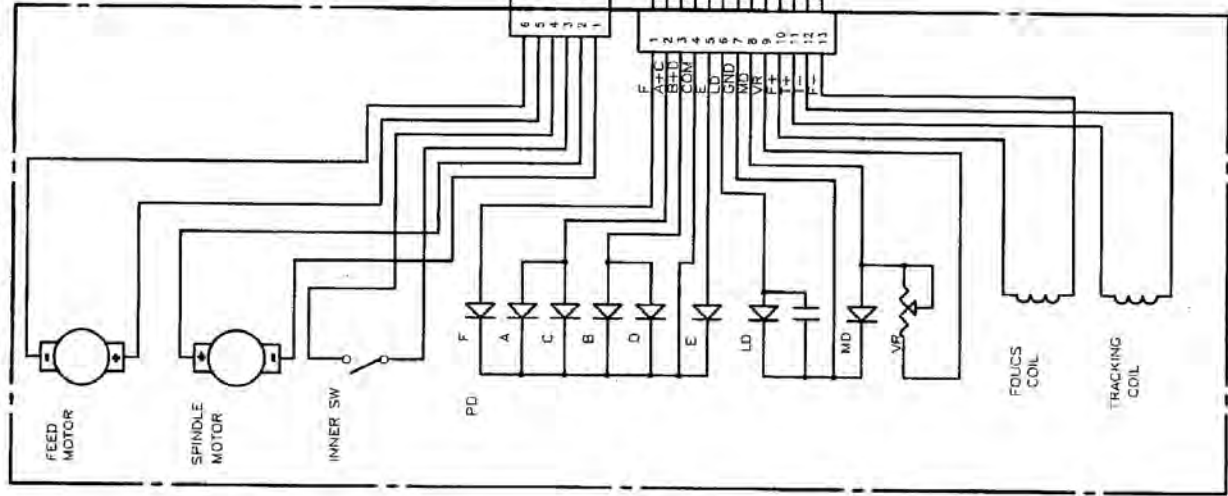
# SCHEMATIC DIAGRAM (DISPLAY)

PCB NO.CEC4B10026300  
ASSY PCB CEC0B10026300



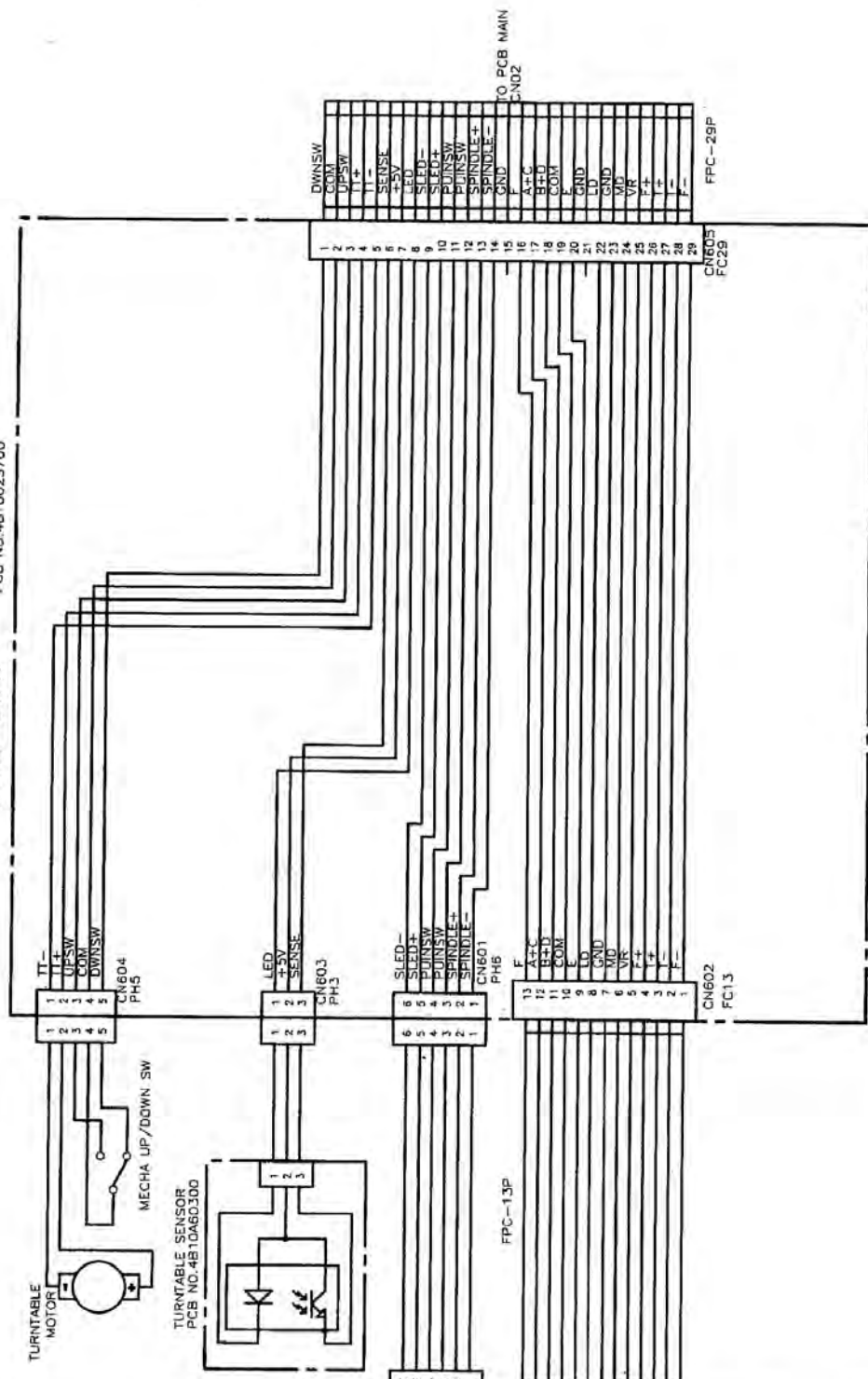
# SCHEMATIC DIAGRAM (CDK93V4 MECHA/SUB)

CDK93V4 MECHA CIR.



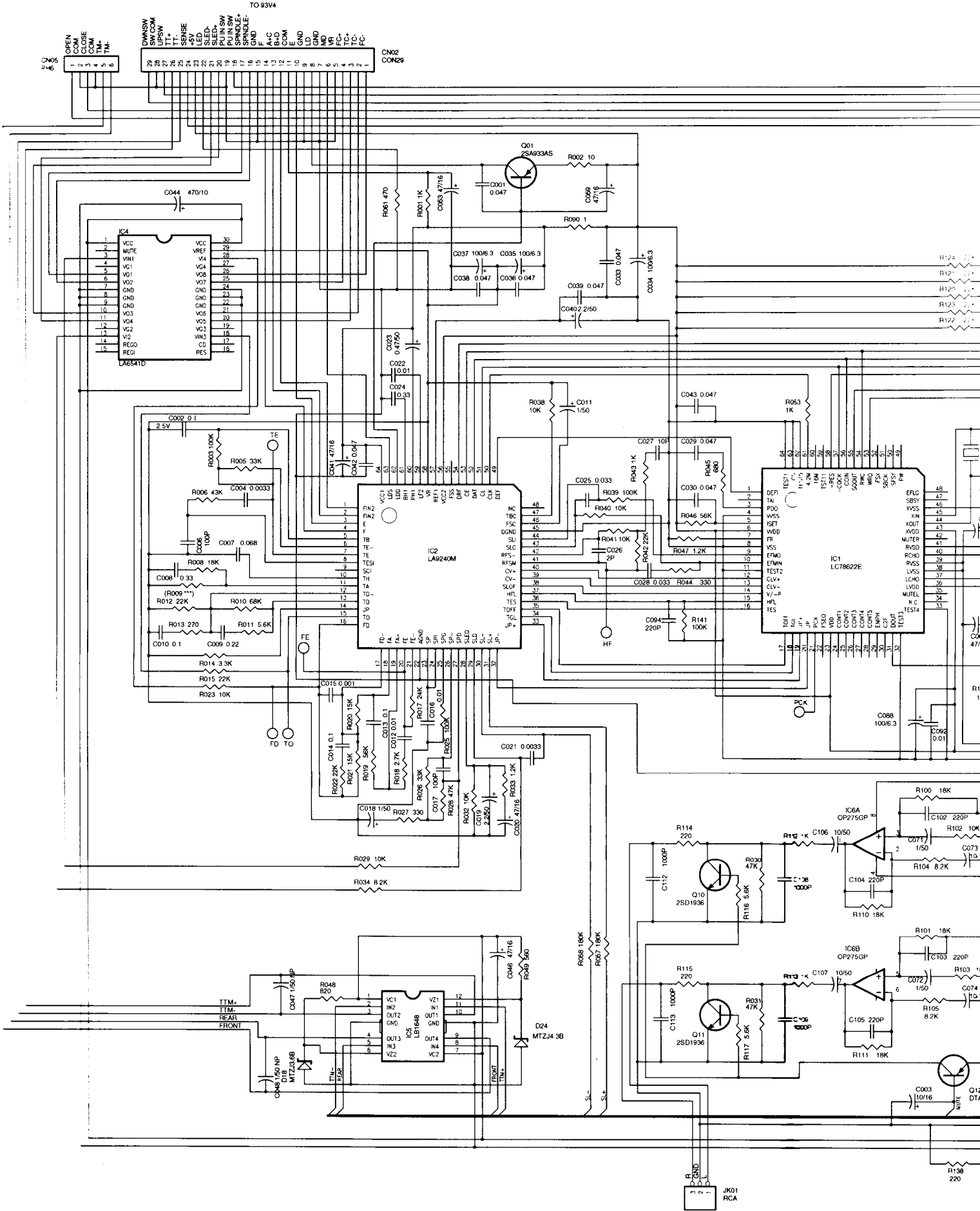
SUB CIR.

PCB NO.4B10023700

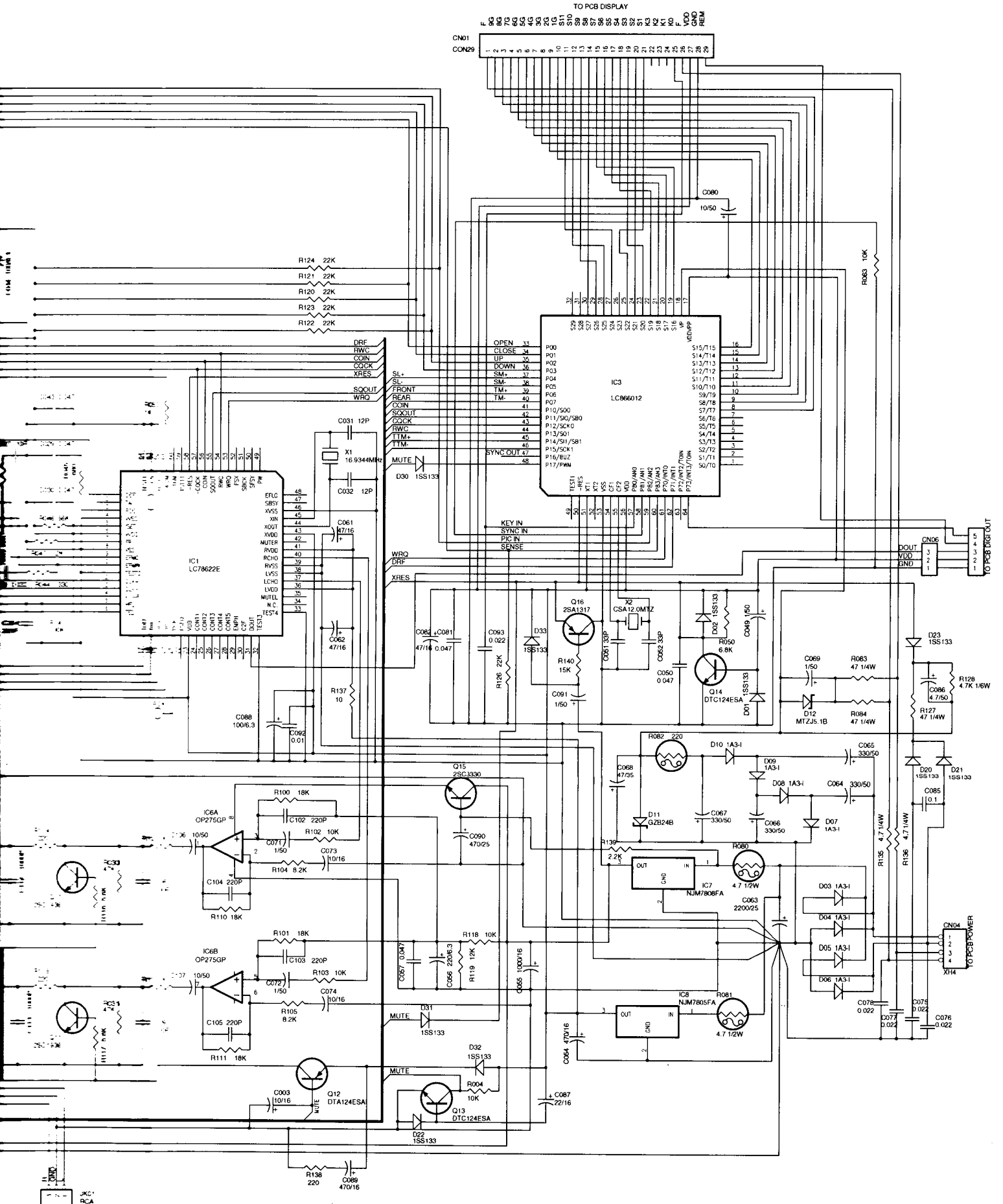


TO PCB MAIN  
CN02

# SCHEMATIC DIAGRAM (MAIN)



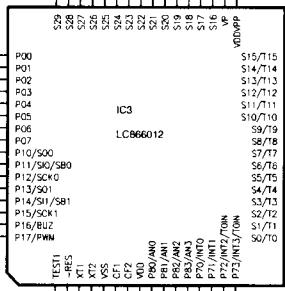
# SCHEMATIC DIAGRAM (MAIN)



TO PCB DISPLAY

F 5G 9C 9E 9F 9G 9H 9J 9K 9L 9M 9N 9P 9Q 9R 9S 9T 9U 9V 9W 9X 9Y 9Z  
 1 2 3 4 5 6 7 8 9 10 11 12 13 14 15 16 17 18 19 20 21 22 23 24 25 26 27 28 29

CON29  
 1 2 3 4 5 6 7 8 9 10 11 12 13 14 15 16 17 18 19 20 21 22 23 24 25 26 27 28 29



# SCHEMATIC DIAGRAM (DIGI OUT)

